

**OFF-  
ROAD  
LIVIN'**

***can-am***®



**2021 ACCESSORIES**  
EUROPE, MIDDLE EAST  
AND AFRICA EDITION

**OUTLANDER  
RENEGADE**



# IT'S ALL HERE, NOW GET OUT THERE.

## FIT & COMPATIBILITY



FOR US, INNOVATION IS A NO BRAINER.  
ALL OUR ACCESSORIES WORK TOGETHER,  
RIGHT OUT OF THE BOX. SO TAKE YOUR  
PICK. THEN PICK SOME MORE.

***can-am***



## STYLE & VISION



WE'VE UPPED THE ANTE ON ACCESSORIES. NOT JUST DESIGNED TO LOOK GOOD, BUT PERFORM RIGHT FOR REAL RIDERS. ALL KILLER, NO FILLER.

## QUALITY & RELIABILITY



OUR CAN-AM ACCESSORIES ARE MADE RIGHT THE FIRST TIME. AND TO TOP IT OFF WE THREW IN A 2-YEARS WARRANTY. YOU'RE WELCOME. INSTALL THEM YOURSELF OR AT AN AUTHORIZED DEALER.

**BRP 2-YEARS  
LIMITED WARRANTY**

For new Can-Am accessories, genuine parts, and co-branded products sold through BRP Includes items installed by you or an authorized BRP dealer.



# can-am<sup>®</sup> OUTLANDER RENEGADE

# KOLPIN



## HEAVY-DUTY PROTECTION

Ranch and work-ready bumper.

P.35

## ACCESSORIES

- 4 Built Inspirations
- 8 Compatibility Guide
- 9 LinQ: Easy On  
Easy Off Cargo
- 17 Cargo & Storage



## CREATE YOUR OWN WINDSHILED

Modular windscreen protection options for any rider preference.

P.20

**CAN-AMOFFROAD.COM**





## PROMOUNT — PLOWS

### THE POWER TO PUSH FORWARD

Designed to work as efficiently as possible,  
Can-Am reimaged the plow from frame to blade.

P.57



## APACHE TRACK SYSTEMS

### TERRAIN IS NO LONGER THE LIMIT

Get the most out of your Can-Am vehicle  
this winter for all your endeavors.

P.51

20	Windshields	38	Lights & Electrical	52	Apache™ Track Systems
23	Handlebars & Mirrors	42	Winches	56	Snowblower
24	Seat Kits	44	Multitrailer	58	Promount Plows
25	Racks & Holders	45	Hitches	62	Tires
28	Skid Plates	46	Performance	64	Rims
33	Bumpers & Guards	50	Covers, Decals & Add-Ons		



### NO MORE BUNGEEES & ROPES

P.9



Look for this logo throughout the catalogue for Expert recommendations on innovative, must-have, enthusiast-ready parts and accessories that will help you customize your perfect off-road machine.



# HARD WORK

TAKE ON THE TOUGH TASKS WITH UTILITY UPGRADES THAT WORK SEAMLESSLY AND TIRELESSLY WITH YOU & YOUR OUTLANDER

## TAKE YOUR PICK:

Expertly-chosen STARTER, ADVANCE, and PEAK utility packages to take your Can-Am build to another level. Or simply mix and match and create your own package.

OUTLANDER



STARTER	715001215	LinQ Heavy-Duty Basket	P.15	<b>1139 zł</b>
	715001914	8" (20 cm) Rack Extension	P.26	<b>648 zł</b>
	715006108	Warn VRX 35 Winch	P.42	<b>2352 zł</b>
ADVANCE	+			
	715001909	Fender Flares	P.37	<b>619 zł</b>
	715003461	Rancher Front Bumper	P.35	<b>1440 zł</b>
	715003462	Rancher Rear Bumper	P.35	<b>1214 zł</b>
	715003459	Body Side Protector	P.36	<b>1561 zł</b>
PEAK	+			
	715001945	Multi-Fit Holder	P.27	<b>359 zł</b>
	710005423	Ram LED Spotlight	P.40	<b>480 zł</b>
	715005186	Rear Hitch Receiver	P.45	<b>549 zł</b>
	715000972	Front & Rear Hitch Drawbar	P.45	<b>411 zł</b>



# TRAIL

GO FARTHER WITH  
PROVEN TRAIL  
ACCESSORIES FOR  
ALL-DAY COMFORT  
& RELIABILITY

BUILD YOUR OUTLANDER MAX



OUTLANDER MAX

**TAKE YOUR PICK:**  
Expertly-chosen **STARTER**,  
**ADVANCE**, and **PEAK**  
trail packages to take  
your Can-Am build to  
another level. Or simply  
mix and match and create  
your own package.

<b>STARTER</b>		715001749	LinQ Trunk Box Outlander Max	P.13	<b>2480 zł</b>
		715006119	LinQ Trunk Box Pannel	P.13	<b>278 zł</b>
		715001232	Deluxe Fairing	P.21	<b>1070 zł</b>
		715001211	High Windshield for Deluxe Fairing	P.21	<b>359 zł</b>
		715004837	XT Front Bumper	P.34	<b>891 zł</b>
		715004920	XT Rear Bumper	P.34	<b>891 zł</b>
<b>ADVANCE</b>	+				
		715001286	Extreme Front Bumper	P.36	<b>1289 zł</b>
		715002353	Deluxe Mirror Kit	P.21	<b>308 zł</b>
		715003115	Auxiliary Windshield Lights	P.40	<b>1634 zł</b>
		715003250	Heated Hand Grips & Throttle Combo	P.38	<b>1284 zł</b>
	715001926	Heated Passenger Grips & Visor Outlet	P.38	<b>1174 zł</b>	
<b>PEAK</b>	+				
		715004284	Baja Design High Beam Kit	P.40	<b>3147 zł</b>
		715003942	Driver Backrest	P.24	<b>1168 zł</b>
	715004807	HMWPE Skid Plate	P.28		

ACCESSORIES

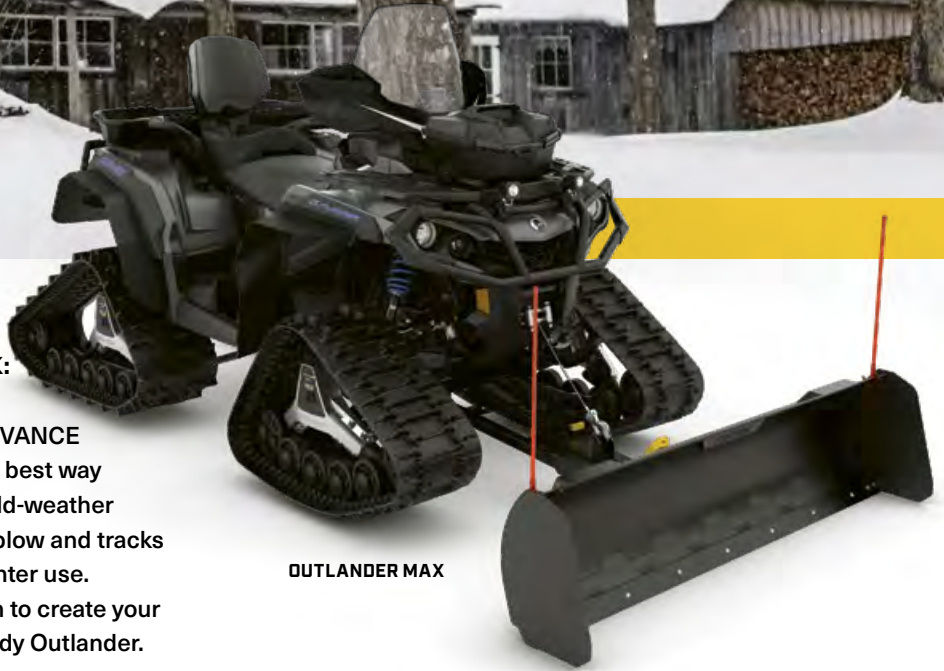


# WINTER

## FINALLY ENJOY WINTER WITH COLD-WEATHER ESSENTIALS: THE CAN-AM APACHE TRACK SYSTEM & PROMOUNT PLOW KIT

### TAKE YOUR PICK:

Expertly-chosen **STARTER** and **ADVANCE** packages are the best way to quickly add cold-weather upgrades—plus plow and tracks for even more winter use. Or mix and match to create your perfect snow-ready Outlander.



OUTLANDER MAX

<b>STARTER</b>	715004282	LinQ Low Profile Basket	P.15	<b>873 zł</b>
	715003023	Extra-High Windshield Kit	P.22	<b>1168 zł</b>
	715004815	Heated Grips & Thumb Throttle Combo	P.38	<b>1284 zł</b>
	715001246	Heated Visor Outlet	P.38	<b>274 zł</b>
	+			
<b>ADVANCE</b>	715001926	Heated Passenger Grips & Visor Outlet	P.38	<b>1174 zł</b>
	715004301	LinQ Tool Box	P.11	<b>671 zł</b>
	715005111	Fender Flare Extensions	P.37	<b>1041 zł</b>
	715004293	2" (5 cm) Square LED Lights	P.40	<b>812 zł</b>
<b>TRACKS</b>	715005103	Apache 360LT Track System	P.53	<b>26 379 zł</b>
	715004795	Apache 360LT Mounting Kit	P.55	<b>1186 zł</b>
	715003063	Apache 360 LT Adaptor	P.55	<b>843 zł</b>
<b>PLOW</b>	715006109	Warn VRX 35-S Winch	P.42	<b>2857 zł</b>
	715005202	Can-Am ProMount Flex2 60" (152 cm) Kit	P.59	
	715004204	Can-Am ProMount Push Frame Extension	P.60	<b>687 zł</b>
	715004207	Can-Am Promount Drift Cutters	P.61	<b>619 zł</b>
	715004206	Can-Am Promount Edge Markers	P.61	<b>203 zł</b>



# HUNTING

ADAPT QUICKLY FOR THE HUNT BY OUTFITTING THE OUTLANDER TO YOUR EXACT NEEDS



#### OUTLANDER

*For the international market, the Squadron Green color is only available on the Outlander 570 PRO.*

#### TAKE YOUR PICK:

Expertly-chosen **STARTER**, **ADVANCE**, and **PEAK** hunting packages to take your Can-Am build to another level. Or simply mix and match and create your own package.

Package	Item	Code	Price
<b>STARTER</b>	LinQ Premium Storage Bag by Ogio	P.15	<b>2405 zł</b>
	Low Windshield kit	P.22	<b>821 zł</b>
	Gun Boot 6.0 Impact by Kolpin	P.27	<b>439 zł</b>
	Gun Boot Rack	P.27	<b>625 zł</b>
<b>ADVANCE</b>	+		
	LinQ Low Profile Basket	P.15	<b>873 zł</b>
	XT Front Bumper	P.34	<b>665 zł</b>
	XT Rear Bumper	P.34	<b>526 zł</b>
	Body Side Protector	P.36	<b>1711 zł</b>
	Extreme Front Bumper	P.36	<b>1191 zł</b>
	Fender Flares	P.37	<b>619 zł</b>
<b>PEAK</b>	+		
	Aluminum Skid Plate	P.30	
	Heated Grips & Thumb Throttle Combo	P.38	<b>1284 zł</b>
	RAM LED Spotlight	P.40	<b>480 zł</b>
	Can-Am HD 3500 winch	P.42	<b>1488 zł</b>

BUILD YOUR OUTLANDER

ACCESSORIES



# ATV ACCESSORY COMPATIBILITY GUIDE

We've made things super simple.

- Check your model year
- Choose engine and model
- Learn your **PLATFORM CODE**

This **PLATFORM CODE** will let you know at a glance if the accessory is compatible with your vehicle.

## EXAMPLE

### CARGO BAG

- Rugged all-purpose cargo bag with rain cover for additional protection against the elements.
- LinQ Luggage Rack (715001734) is required for G2S.

**G2, G2L, G2S**

280000539

**838 zł**

For G1 accessories, refer to your local dealer.

Model Year	Model	Engine Configuration	Platform Code
<b>2013</b>	Outlander	400	G1
	Outlander	500, 650, 800, 1000	G2
	Outlander MAX	400	G1
	Outlander MAX	500, 650, 800	G2
	Renegade	500, 800, 1000	G2S
	<b>2014</b>	Outlander	400
Outlander		500, 650, 800, 1000	G2
Outlander MAX		400	G1
Outlander MAX		500, 650, 800, 1000	G2
Renegade		500, 800, 1000	G2S
<b>2015</b>		Outlander L	450, 500
	Outlander	500, 650, 800, 1000	G2
	Outlander L MAX	450, 500	G2L
	Outlander MAX	500, 650, 800, 1000	G2
	6x6	650, 1000	G2
	Renegade	500, 800, 1000	G2S
	<b>2016</b>	Outlander L	450, 570
Outlander		570, 650, 850, 1000	G2
Outlander L MAX		450, 570	G2L
Outlander MAX		570, 650, 850, 1000	G2
6x6		650, 1000	G2
Renegade		570, 850, 1000	G2S
<b>2017</b>	Outlander	450, 570	G2L
	Outlander	650, 850, 1000	G2
<b>2018</b>	Outlander MAX	450, 570	G2L
	Outlander MAX	650, 850, 1000	G2
	6x6	650, 1000	G2
	Renegade	570, 850, 1000	G2S
	<b>2019</b> <b>2021</b>	Outlander	450, 570
Outlander		570, 650, 1000, 1000R	G2
Outlander MAX		450, 570	G2L
Outlander MAX		570, 650, 1000, 1000R	G2
6x6, 6x6 MAX		450	G2L
6x6, 6x6 MAX		650, 1000	G2
Renegade		650, 1000, 1000R	G2S



G2L 6x6



G2 6x6



G2



G2L



G2S



G1



G1S



# LinQ SYSTEM™

## EASY ON EASY OFF CARGO

A BRP exclusive, LinQ is a tool-less system for near-instant installation of accessories. Quickly, easily install and remove LinQ accessories to transform your machine to fit the moment.



**FIT &  
COMPATIBILITY**



**QUALITY &  
RELIABILITY**



**STYLE &  
VISION**



**TOOL-LESS**  
Twist LinQ fasteners and go!

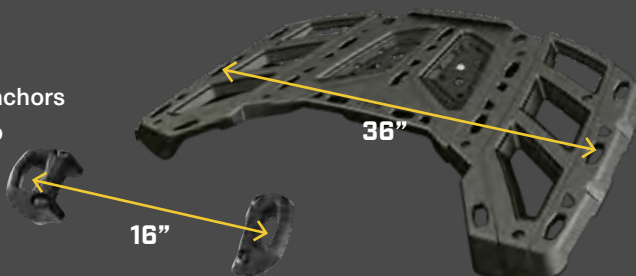


### YOUR ADVENTURE, OUTFITTED

LinQ trunk boxes, rack extensions, bags, baskets, and gear grips attach quickly for your next expedition.

### LinQ ACCESSORY TYPES

- **LinQ** with 16" base accessories are mounted with LinQ anchors 16 inches apart, ideal for Can-Am ATVs and SSVs, Sea-Doo watercraft, Can-Am On-Road and Ski-Doo snowmobiles.
- **LinQ** with 36" base accessories are most commonly used as part of LinQ racks for Can-Am Off-Road vehicles.





# LinQ SYSTEM ACCESSORIES

- No tools needed: Quickly install and remove accessories by hand
- Equip your Can-Am for specialized tasks in no time
- Sturdy mounting system that holds up to the roughest terrain

## Compatibility/Requirements






Outlander 450/570

Outlander

Renegade









### LinQ ACCESSORIES WITH 16" BASE P. 11

- LinQ anchors mounted 16 inches apart, center-to-center.
- Lower loading capacity than the 36" base accessories.
- Can be used on Can-Am ATV and SSV vehicles, Sea-Doo watercraft and Ski-Doo snowmobiles.





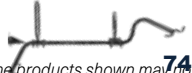
	<b>LinQ 4.2 GAL (16 L) COOLER</b> 295100698 <b>1486 zł</b>	Not compatible	LinQ Anchor Adaptor Kit 715004960	LinQ Luggage Rack 715001734 + <b>1266 zł</b> LinQ Anchor Adaptor Kit 715004960 <b>308 zł</b>
	<b>LinQ TOOL BOX</b> 715004301 <b>671 zł</b>			
	<b>LinQ SR 5.5 GAL (21 L) BAG</b> 860201740 <b>1024 zł</b>			
	<b>LinQ 4.5 GAL (17 L) SPORT BAG</b> 860201678 <b>809 zł</b>			
	<b>LinQ DRY BAG</b> 715002875 <b>954 zł</b>			

### LinQ ACCESSORIES WITH 36" BASE P. 12-15

- Mount on LinQ racks often used by Can-Am ORV vehicles.
- Higher loading capacity than the 16" base accessories.
- Usage is limited to Can-Am ORV vehicles.

	<b>LinQ 12 GAL (45 L) CARGO BOX</b> 715003879 <b>1139 zł</b>	LinQ Base 715002350 <b>103 zł</b>	No further requirements	LinQ Luggage Rack 715001734 <b>1266 zł</b>
	<b>LinQ 23 GAL (86 L) GAL TRUNK BOX</b> 715004923 <b>1486 zł</b>			
	<b>LinQ 32 GAL (121 L) TRUNK BOX</b> 715001747 / 715001749 (MAX) <b>2000 zł / 2480 zł</b>	Not compatible		
	<b>LinQ 11.5 GAL (43 L) AUDIO CARGO BOX</b> 715003018 <b>3145 zł</b>	LinQ Base 715002350 <b>103 zł</b>		
	<b>LinQ 8 GAL (30 L) COOLER BOX</b> 715004778 • Black / 715004698 • Grey	Not compatible		
	<b>LinQ PREMIUM STORAGE BAG BY OGIO</b> 715002923 • Black / 715003248 • Camo <b>2029 zł / 2405 zł</b>			
	<b>LinQ HEAVY-DUTY BASKET</b> 715001215 <b>1139 zł</b>	LinQ Base 715002350 <b>103 zł</b>		
	<b>LinQ LOW PROFILE BASKET</b> 715004282 <b>873 zł</b>			

### LinQ RACKS & HOLDERS P. 25-27

	<b>LinQ 4" (10 CM) RACK EXTENSION</b> 715001711 • Silver / 715001665 • Black <b>942 zł</b>	Not compatible *Alternative 5" or 8" Rack Extensions (715001913 or 715001914) are available for G2L	No further requirements	LinQ Luggage Rack 715001734 <b>1266 zł</b>
	<b>LinQ 6" (15 CM) RACK EXTENSION</b> 715001712 • Silver / 715001671 • Black <b>995 zł</b>			
	<b>LinQ MOUNTED GEAR GRIPS</b> 715001351 <b>613 zł</b>	Not compatible *Alternative Gear Grips by Kolpin (715001421) are available for G2L		
	<b>LinQ TOOL HOLDER</b> 715003059 <b>255 zł</b>	LinQ Base 715002350 <b>103 zł</b>		
	<b>LinQ GUN BOOT RACK</b> 715002112 / 715002113 <b>705 zł</b>	Not compatible *Alternative Gun Boot Racks (715001918 or 715001919) are available for G2L		Not compatible

Some products shown may not be available or homologated in your country. Contact your BRP dealer for local availability.





BETTER RIDE,  
ADDED CAPABILITY,  
MORE STORAGE:  
WHAT'S NOT  
TO LOVE?

**LINQ SYSTEM** LinQ ACCESSORIES WITH 16" BASE

## OUTLANDER | RENEGADE

### LinQ 4.2 GAL (16 L) COOLER

- Rotomolded construction for exceptional rigidity and durability.
- Premium-quality foam insulation for optimal ice retention.
- Marinized for salt water purposes.
- See table for installation location and requirements.

**G2, G2S**  
295100698 **1486 zł**



**EXPERT CHOICE**

One of the most versatile and popular coolers on the market made for rugged use.

### LinQ TOOL BOX

- High precision injected HDPE construction provides rigidity and durability.
- 5 Gal (19 L) maximum capacity.
- Weather-resistant, sealed and lockable cover.
- LinQ Cargo Base Kit included (860201806).
- Marinized for salt water purposes.
- See table for installation location and requirements.

**G2, G2S**  
715004301 **671 zł**



### SR 5.5 GAL (21L) LinQ BAG

- Semi-rigid expandable bag.
- 5.5 Gal (21L) capacity.
- LinQ Cargo Base Kit included (860201801).
- See table for installation location and requirements.

**G2, G2S**  
860201740 **1024 zł**



### LinQ 4.5 GAL (17 L) SPORT BAG

- 17-liter 4.5 Gal (17 L) capacity.
- Rigid bottom, semi-rigid top.
- See table for installation location and requirements.
- LinQ Cargo Base Kit included.

**G2, G2S**  
860201678 **809 zł**



### LinQ DRY BAG

- Fully waterproof roll-top dry bag will securely store and confine your equipment.
- LinQ mounted using heavy-duty rigid plastic base.
- High capacity storage solution 10.6 Gal (40L).
- Bottom foam liner for additional equipment protection.
- Integrated handle for easy transportation on/off the vehicle.
- LinQ Cargo Base Kit included (860201806).
- Marinized for salt water purposes.
- See table for installation location and requirements.

**G2, G2S**  
715002875 **954 zł**







LinQ 12 GAL (45L)  
CARGO BOX

5" (13 CM) RACK  
EXTENSION

LinQ  
23 GAL (86L)  
TRUNK BOX



LinQ ACCESSORIES WITH 36" BASE

## OUTLANDER | RENEGADE

### LinQ 12 GAL [45L] CARGO BOX

- LinQ mounted for easy on, easy off installation.
- Holds cargo safely and securely while riding.
- See table for installation location and requirements.

**G2 (front only for 6x6 & MAX models 2013-2014), G2L, G2S**

715003879 **1139 zł**



### LinQ 23 GAL [86L] TRUNK BOX

- LinQ mounted for easy on, easy off installation.
- Lockable and weather-resistant.
- Holds cargo safely and securely while riding.
- Comfort pads for passenger.
- See table for installation location and requirements.

**G2 (except 6x6 models), G2L, G2S**

715004923 **1486 zł**



Some products shown may not be available or homologated in your country. Contact your BRP dealer for local details.

Cennik zawiera sugerowane ceny detaliczne brutto w walucie PLN. Ceny mogą ulec zmianie bez wcześniejszego uprzedzenia.  
Cennik nie jest ofertą w rozumieniu prawa.



**LinQ ACCESSORIES WITH 36" BASE**

**OUTLANDER | RENEGADE**

# LinQ 32 GAL (124L) TRUNK BOXES

**Seamless integration with vehicle**

- Built from the design stage to specifically match your Can-Am vehicle.
- Totally cohesive design eliminates the need to modify your vehicle in any way\*.
- Rear tail light.

**Color-keyed panels**

- Colored Trunk Box Panels & Camo Decals are available to match your Outlander (sold separately).

**Easy quick-attach installation**

- Equipped with the LinQ System, the rear trunk box plugs in and out in seconds.
- Instantly transforms your vehicle to suit the need of the moment.

**Unparalleled storage**

- 32 Gal (124L) load capacity with contiguous unobstructed space to maximize storage room and access to the trunk's interior.

**Built tough**

- Made of injection-molded polyethylene, double walled in critical areas.

**Dust and weather proof**

- The fully sealed lid protects your belongings from dust, moisture and the elements.

**Lockable**

- Built-in lockable barrel.



LinQ: EASY ON EASY OFF CARGO

ACCESSORIES

**LinQ 32 GAL (124L) TRUNK BOX**

- LinQ Retrofit Adaptor Plate (715001334) is required for G1 models.
- Trunk Box Panels available in many colors to match your vehicle (sold separately).
- See table for installation location and requirements.

**G2 (except MAX models & 6x6).**

**G2S**

715001747

**2000 zł**

**European Version (EC compliant)**

- No rear tail light.

715001748

**LinQ 32 GAL (124L) TRUNK BOX FOR OUTLANDER MAX**

- Passenger comfort is ensured on active rides as well as longer recreational rides thanks to the ergonomically designed passenger padding comfort-fitted with a portion made of closed cell foam that won't absorb water.
- Very easy to embark even when driver is seated.
- Trunk Box Panels available in many colors to match your vehicle (sold separately).

**G2 (MAX models only except 6x6 models)**

715001749

**2480 zł**

**EUROPEAN VERSION (EC compliant)**

- No rear tail light.

715001750

**2214 zł**



**EXPERT CHOICE**

Add lockable storage, style, and passenger comfort—no tools needed.

**LinQ 32 GAL (124L) TRUNK BOX PANELS**

- Color panels to match the 32 Gal (124L) LinQ Trunk Box to your vehicle.

**LinQ 32 Gal (124L) Trunk Boxes**

**278 zł**

- 715001391 • Black
- 715001392 • Yellow
- 715001395 • Viper Red
- 715002481 • White
- 715002480 • Light Grey

- 715002984 • Octane Blue
- 715002985 • Manta Green
- 715002986 • Can-Am Red
- 715006119 • Orange Crush
- 715006120 • Squadron Green
- 715007074 • Tundra Green **New**

**EUROPEAN VERSION (EC compliant)**

- No rear tail light

**278 zł**

- 715001397 • Black
- 715001398 • Yellow
- 715002482 • Light Grey
- 715002483 • White
- 715006121 • Can-Am Red
- 715006122 • Manta Green
- 715006123 • Orange Crush
- 715006124 • Viper Red

**CAMO DECALS FOR BLACK TRUNK BOX PANELS**

**242 zł**

(Not illustrated)

- Camo pattern perfectly matches your camo vehicle.

**LinQ 32 Gal (124L) Black Trunk Box Panel**

- 715002975 • Mossy Oak Break-Up Country Camo
- 715001683 • Next G-1 Vista Camo



715002975



715001683

\*WARNING: You should never accessorize your Can-Am off-road vehicle with accessories not approved by BRP because your vehicle may no longer meet certain safety and construction standards. This situation could increase the risk of severe injury or death and render your vehicle not legal for use.



TAKE ON THE TOUGH JOBS WITH TASK-FOCUSED UPGRADES THAT ALLOW YOUR CAN-AM ATV VEHICLE TO WORK SMARTER & HARDER



LinQ ACCESSORIES WITH 36" BASE

**OUTLANDER | RENEGADE**

**LinQ 11.5 GAL (43L) AUDIO CARGO BOX**

- Mounts on/off easily to hold/carry cargo safely and securely.
- The Bluetooth enabled receiver and 6.5" (16.5 cm) speakers are smartly concealed and integrated in the cover.
- Automatic shut-off function protects your battery by turning the system off after 10 minutes of inactivity.
- Backlit control panel perfect for night riding.
- Water-resistant speakers.
- Delivers the best sound quality on the market to sweeten your ride courtesy of a built-in full range high-efficiency amplifier.
- See table for installation location and requirements.

G2 (front only for 6x6 & MAX models 2013-2014), G2L, G2S

715003018 **3145 zł**



Quickly attach or remove for ultimate sound and added storage, anytime.

**LinQ 8 GAL (30L) COOLER BOX**

- LinQ mounted for easy on, easy off installation.
- Rotomolded construction provides exceptional rigidity and durability.
- Premium-quality foam insulation for optimal ice retention.
- Integrated, fully-removable compartment protects food.
- Robust rubber latches keep the cover tightly closed.
- Weather-resistant.
- Convenient drain plug.
- See table for installation location and requirements.

G2 (except 6X6 models), G2S

G2 (except 6x6 models), G2S

715004778 • Black **1862 zł** 715004698 • Grey **1862 zł**



Some products shown may not be available or homologated in your country. Contact your BRP dealer for local details.





**LinQ ACCESSORIES WITH 36" BASE**

**OUTLANDER | RENEGADE**

**LinQ PREMIUM STORAGE BAG BY OGIO**

- Tool-less installation and removal thanks to the LinQ System.
- 17.2 Gal (65 L) capacity semi-rigid cargo bag ideal for carrying anything you need on your vehicle.
- Buckle and elastic closure with a rubber seal that protects dust from entering the bag.
- 3-section lid for partial or full access to your bag.
- Inside separators for optimal bag organization.
- See table for installation location and requirements.

**G2 (except 6x6 models), G2L, G2S**

■ 715003248 • Mossy Oak Break-Up Country Camo

**2405 zł**

■ 715002923 • Black

**2029 zł**



Inside separators for optimal bag organization

**LinQ HEAVY-DUTY BASKET**

- Made of high-strength, low-alloy steel.
- LinQ mount for easy on, easy off installation.
- Can be placed on both front and back racks of vehicle.
- See table for installation location and requirements.

**G2, G2L (front only for MAX & 6x6 models), G2S**

715001215 **1139 zł**



Superior build strength and high-walled sides for extra secure load capacity.

**LinQ LOW PROFILE BASKET**

- Low profile, open basket increases cargo space.
- Perfect for easy access to tools, rope, winch and plow accessories.
- Multiple bungee cord and tie-down anchor points.
- Made of impact-resistant injected polypropylene.
- See table for installation location and requirements.

**G2, G2L (front only for MAX & 6x6 models), G2S**

715004282 **873 zł**





EASY LOADS IT:  
LinQ ACCESSORIES  
MOUNT SECURELY  
IN SECONDS

LinQ STORAGE BOX  
2 GAL (7.5L)



LinQ ACCESSORIES

OUTLANDER | RENEGADE

LinQ ANCHOR ADAPTOR KIT

- Allows the installation of accessories with LinQ base of 16" on LinQ racks.
- Tool-less installation and removal.
- For G2S, the LinQ Luggage Rack (715001734) is required for installation.

G2, G2S **308 zł**  
715004960



LinQ BASE

- Made of polypropylene glass fiber.
- Allows you to install LinQ accessories.
- Sold in pack of 4.

G2L **103 zł**  
715002350



LinQ REPLACEMENT PARTS

- Unique mounting fastener usable on any LinQ System accessory.
- Tool-less installation and removal.
- Sold in pairs.

G2L **116 zł**  
715001707



SOFT STORAGE BAG

- 3-section bag.
- Transport gear in a weatherproof bag.
- 11.8 Gal (45L) capacity soft cargo bag designed with vehicle's rack in mind to maximize potential storage.
- LinQ Luggage Rack (715001734) is required for G2S.

G2, G2L, G2S **769 zł**  
715003759 - Black



STORAGE 2.6 GAL (10L) BAG

- Roll-top dry bag for fully protecting your cargo from the elements.
- Fits in rear compartment of your vehicle.

G2L **163 zł**  
269502121



Some products shown may not be available or homologated in your country. Contact your BRP dealer for local details.



GET REMARKABLE VERSATILITY, QUALITY,  
AND FIT TO MATCH EVERYTHING YOUR  
OUTLANDER 6X6 CAN DO







## OUTLANDER 6X6

### LOG BARS

- Log bars allow you to convert the cargo bed into a perfect transport space for 4' (120 cm) timber.
- The driver's safety is guaranteed by the protective front screen.

**G2 (6x6 models only)**

715001987

**4897 zł**



### SIDE WALLS AND TAIL GATE

- Allows for a quick and easy conversion of the cargo bed into a trunk with plenty of room.
- Rotationally molded walls provide extreme durability for hard work - in all conditions.

**G2 (6x6 models only)**

715005153 • Europe

**4868 zł**

### HARD TOP

- The hard top provides a 116 Gal (440L) cargo box.
- Locking secures your belongings.
- The cover raises assisted by gas cylinders.

**G2 (6x6 models only)**

715002394

**4533 zł**



### CARGO BOX POOL

- Transforms the flatbed into a large capacity cargo box for increased loading possibilities.
- Made of durable formed HDPE and shaped to maximize cargo space.
- Allows access to vehicle's water-resistant rear compartment.
- Designed for perfect fit and easy installation.

**G2L (6x6 models only)**

715005256

**1584 zł**



### TAILGATE EXTENSION/DIVIDER

- The sturdy tailgate extension provides a 10" (25 cm) extension to the cargo space.
- Thanks to the longer cargo bed, even large loads pose no problem.
- With the help of LinQ quick locks, the extension also acts as a solid space divider for the cargo bed.

**G2 (6x6 models only)**

715002017

**2156 zł**



Some products shown may not be available or homologated in your country. Contact your BRP dealer for local details.





## OUTLANDER 6X6

### TARPAULIN

- Fitted to cover all of the items in your cargo box thoroughly.
- Prevents splash from entering cargo box.
- Easily removable for quick access.

**G2 (6x6 models only)**     **1660 zł**  
715002416

### 18 GAL (70L) UTILITY BOX

- Wherever you go and whatever you do, this handy 18 Gal (70L) utility box is your mobile storage.
- The lid keeps your equipment safe from the elements in all conditions.
- Slides under the flatbed with handles for easy access.

**G2 (6x6 models only)**     **2353 zł**  
715001999



### CARGO BOX NET

- Solid net designed to hook to the bottom of the cargo box for secure and compact confinement of your cargo.

**G2 (6x6 models only)**     **285 zł**  
715001371

### TAILGATE LIMITER KIT

- 2 L-shape brackets that hold the tailgate open horizontally.
- Keeps tailgate flush with the rest of the flatbed for longer oversized cargo.

**G2 (6x6 models only)**     **331 zł**  
715002080





# CAN-AM WINDSHIELDS

Factory-designed wind and debris protection options with clear benefits for every Can-Am ATV rider.



**FIT & COMPATIBILITY**



**QUALITY & RELIABILITY**



**STYLE & VISION**



**Tool-less fitment**

Install base bracket and quickly remove windscreen when needed



Extra High

High

Low

## ELEVATED PROTECTION

Pick the windscreen based on the conditions with three different sizes to match your vehicle perfectly.



**100% integrated**

Perfectly shaped, built and finished to seamlessly improve the way your ATV cuts through the wind.



# CREATE YOUR ULTIMATE WIND PROTECTION IN 3 EASY STEPS



## 1 CHOOSE A DELUXE FAIRING COLOR

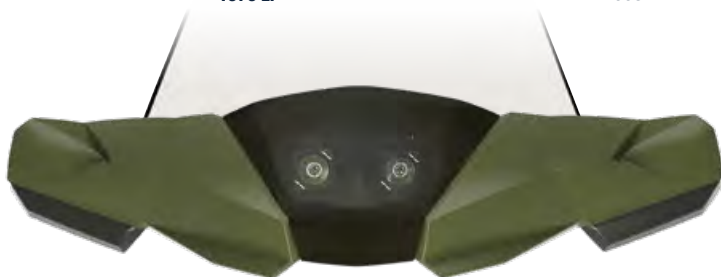
### DELUXE FAIRING

- Innovative, richly-featured wind protection.
- Quick tool-less removal once base brackets are mounted on handlebar.
- 2 cup holders.
- GPS-mounting-kit-ready.
- Optional mirrors and auxiliary lighting.
- Requires low, high or extra high windshield.
- Tapered Handlebar Adaptor Kit is required for vehicles with 1 1/8" (28 mm) tapered aluminum handlebars.
- Does not fit T3 units.

#### G2, G2L (except X mr & 6X6)

- 715000935 • Yellow 2000 1070 zł
- 715001231 • Red Viper 1070 zł
- 715001232 • Black 1070 zł

- 715002479 • Light Grey 1070 zł
- 715006125 • Squadron Green 1070 zł
- 715007073 • Tundra Green New 995 zł



Color-keyed fairings add another dimension to your Outlander's look and performance.

### CAMO DECALS FOR BLACK DELUXE FAIRING

- (Not illustrated)
- Camo pattern perfectly matches your camo vehicle.

#### Deluxe Fairing

- 715002976 • Mossy Oak Break-Up Country Camo
- 715001684 • Next G-1 Vista Camo



715002975



715001684

242 zł

236 zł

### TAPERED HANDLEBAR ADAPTOR KIT

- (Not illustrated)
- Required to install Deluxe Fairing on an Outlander X-TP and on any vehicle equipped with 1 1/8" (28 mm) tapered aluminum handlebars.

#### Deluxe Fairing

- 715002470 145 zł



## 2 CHOOSE THE WINDSHIELD HEIGHT ACCORDING TO YOUR RIDING STYLE

### EXTRA HIGH WINDSHIELD

- 16" (41 cm) windshield provides the ultimate protection against the elements while touring.
- For wind protection and winter applications.
- Tool-less installation and replacement.

#### Deluxe Fairing

- 715000936 497 zł



16" (41 cm)

### HIGH WINDSHIELD

- 11" (28 cm) high, for wind protection and winter applications.
- Tool-less installation and replacement.

#### Deluxe Fairing

- 715001211 359 zł



11" (28 cm)

### LOW WINDSHIELD

- 6" (15 cm) windshield allows you to keep your vehicle looking sporty while giving you some protection from the elements and the possibility of enjoying directional lighting.
- Tool-less installation and replacement.

#### Deluxe Fairing

- 715001227 305 zł



6" (15 cm)



## 3 COMPLETE WITH PERFECTLY INTEGRATED ACCESSORIES

### AUXILIARY WINDSHIELD LIGHTING

- 2 premium LED spots for Deluxe Fairing for both increased output and directional lighting.
- 1,800 lumens.
- 2 x 10W LED Cree light kit.
- Long-range illumination up to 350' (107 m), drawing less than 1 amp per light.

#### Deluxe Fairing

- 715003115 1634 zł



### DELUXE MIRROR KIT

- Improved mounting system.
- Wide rear view.
- Perfect fit with your Deluxe Fairing and Deluxe Windshield.

#### Deluxe Fairing

- 715002353 308 zł





INTEGRATED AIRFLOW VENT REDUCES AIR TURBULENCE AND ENGINE RUMBLE AT HIGHER SPEEDS FOR LESS BUFFETING AND MORE COMFORT.



**OUTLANDER | RENEGADE**

**WINDSHIELD KITS**

- Made of polycarbonate with integrated vent to reduce air turbulence and rumble noise at high speeds for a quieter and smoother ride.
- Quick tool-less removal once base brackets are mounted on handlebar.
- Fits straight and tapered handlebars.
- Improved design for enhanced rigidity

**1 EXTRA HIGH WINDSHIELD KIT**

- 16" (41 cm) windshield.
- For ultimate wind protection and winter applications.

**G2, G2L, G2S (except X mr models)**

715003023 **1168 zł**

**2 HIGH WINDSHIELD KIT**

- 11" (28 cm) windshield.
- For wind protection and winter applications.

**G2, G2L, G2S (except X mr models)**

715006382 **1018 zł**

**3 LOW WINDSHIELD KIT**

- 6" (15 cm) windshield.
- Allows you to keep your vehicle looking sporty while giving you some protection from the elements.

**G2, G2L, G2S (except X mr models)**

715003021 **821 zł**



16" (41 cm)



11" (28 cm)



6" (15 cm)

Some products shown may not be available or homologated in your country. Contact your BRP dealer for local details.



## OUTLANDER | RENEGADE

### HANDLEBAR WIND DEFLECTORS

- Rugged injected plastic construction with Can-Am logo.
- Include removable cap for air flow adjustment.
- Mounting kit sold separately.

G2, G2L, G2S

**125 zł**

- |                                  |                                    |
|----------------------------------|------------------------------------|
| ■ 715000525 • Black / Yellow     | ■ 715003812 • Manta Green / Black  |
| ■ 715000537 • White / Black      | ■ 715003813 • Orange / Black       |
| ■ 715001706 • Black / Black      | ■ 715003814 • Octane Blue / Black  |
| ■ 715000733 • Yellow / Black     | ■ 715006117 • Squadron Green/Black |
| ■ 715003811 • Can-Am Red / Black | ■ 715006118 • Viper Red/Black      |



### PASSENGER WIND DEFLECTORS

- These wind deflectors fit on the passenger handles and provide greater comfort while riding.
- Easy to install and remove.

G2 and G2L (MAX models only)

**411 zł**

715001669



### FULL WRAP ALUMINUM MOUNTING KIT

- Lightweight black die cast aluminum construction.
- Includes complete hardware.
- Handlebar wind deflectors sold separately.

G2, G2L, G2S

**457 zł**

715001378



### SHORT ALUMINUM MOUNTING KIT

- Lightweight black die cast aluminum construction.
- Includes complete hardware.
- Handlebar wind deflectors sold separately.

G2, G2L, G2S

**308 zł**

715001379



### MIRROR KIT FOR HANDLEBAR WIND DEFLECTORS

- Do not fit with Full Wrap Aluminum Mounting Kit (715001378).
- Sold in pairs.

Handlebar Wind Deflectors

**125 zł**

860200080



### ALUMINUM TAPERED HANDLEBAR

- 7/8" - 1 1/8" (22 mm - 28 mm) tapered handlebar made of 6061-T6 aluminum.
- Includes all hardware, center steering foam and cover.

G2, G2L, G2S

**526 zł**

715000550



### XT HANDLEBAR PROTECTOR KIT

- Not compatible with Mud Strap (715003053).

G2, G2L

**476 zł**

703100352



### MIRRORS

- True vision surface 5" x 3" (13 cm x 8 cm).
  - Matte finish.
  - Stem includes 3/8" (10 mm) thread.
- Left - 3/8" (10 mm)**
- Bracket (715000190) is required for installation on DS 450.
  - Bracket not required for installation on Outlander and Renegade.

709400406 **125 zł**

**Right - 3/8" (10 mm)**

- Bracket (715000190) required except for vehicles with right hand break.

709400523 **117 zł**





COMFORTABLE  
DRIVER &  
PASSENGER  
SEATING  
OPTIONS FOR  
ALL RIDERS



## OUTLANDER

### DRIVER BACKREST

- Provides the rider's back with that extra support that makes riding that extra mile way more comfortable.
- Adjusts horizontally to match the driver's height and preference.
- Mounts and locks in firmly onto the vehicle.

**G2 (except 6x6 & MAX models)**

715003940 **1139 zł**

**G2 2015 & up, G2L (MAX models only, except 6x6 models)**

715003942 **1168 zł**

**G2L (except MAX models)**

715003941 **1168 zł**

**G2 (6x6 models only, except Max)**

715003611 **1029 zł**



### OUTLANDER MAX PASSENGER SEAT KIT

- Perfect to replace used or damaged passenger seat.

**G2 2015 and up, G2L (MAX models only)**

715002373 **3099 zł**



*Some products shown may not be available or homologated in your country. Contact your BRP dealer for local details.*

Cennik zawiera sugerowane ceny detaliczne brutto w walucie PLN. Ceny mogą ulec zmianie bez wcześniejszego uprzedzenia. Cennik nie jest ofertą w rozumieniu prawa.



AT THE JOBSITE OR ON AN  
ADVENTURE, LinQ RACKS  
MAKE IT EASIER  
TO CARRY THE LOAD

RACKS & HOLDERS

ACCESSORIES



RACKS & HOLDERS

## OUTLANDER | RENEGADE

### LinQ RACK EXTENSION

- Fits front or rear.
- Strong and durable.
- Helps keep cargo securely in place.
- Easy and tool-less installation thanks to the LinQ System.
- Anti-corrosion coating with durable powder coat finish.
- LinQ Luggage Rack (715001734) is required for G2S.

G2, G2S

#### 4" [10 CM]

715001711 • Silver    715001665 • Black

942 zł



#### 6" [15 CM]

715001712 • Silver    715001671 • Black

995 zł



Twist & Go installation  
for adding cargo  
capability in seconds.





## OUTLANDER

### RACK EXTENSION

- Fits front or rear.
- Made of carbon steel.
- Provides tie-down points to secure cargo on racks.
- Easy installation on tubular rack.
- Anti-corrosion coating with durable powder coat finish.

**G2L**

**5" [13 CM]**

**572 zł**

715001913



**8" [20 CM]**

715001914

**648 zł**



Durable extensions with multiple attachment points and work-ready finish.

## RENEGADE

### REAR ALUMINUM RACK

- 30 lb (14 kg) capacity.
- Compact, lightweight aluminum construction.
- Engraved Can-Am logo.
- Stamped 5052 aluminum center plate.
- Easy to install.

**G2S**

715001360

**1041 zł**



### LinQ LUGGAGE RACK

- Bolt-on rack.
- Enables use of LinQ mounted accessories on the G2S.

**G2S**

(except X mr models)

715001734

**1266 zł**



Some products shown may not be available or homologated in your country. Contact your BRP dealer for local details.





## OUTLANDER

### GUN BOOT RACK

- Made of steel.
- Designed for the tubular rack.
- For use with Gun Boot 6.0 Impact by Kolpin.
- Can be mounted to either side of the vehicle.

**G2L (except MAX models)**

715001918 **625 zł**

**G2L (MAX models only)**

715001919 **625 zł**



### GUN BOOT 6.0 IMPACT<sup>+</sup> BY KOLPIN<sup>+</sup>

- Extra room for pistol-grip-type weapons and small bipods.
- Easily fits firearms up to 51" (130 cm) in total length.
- Provides ample room for 2 3/8" (60 mm) scopes.
- Hatchback design allows easy access.
- Ergonomically designed handle and molded attachment points for sling.

**G2, G2L**

**439 zł**

715001419

- Snap-close cover with locking capability.
- Designed to accommodate left and right hand bolt-action rifles and shotguns.
- Includes removable, shock absorbing foam and nylon Impact liner for superior interior protection.
- Requires appropriate mounting kit for installation.



### LinQ GUN BOOT RACK

(Not illustrated)

- This lightweight Gun Boot Rack can be mounted on either side of your Outlander using the tool-less LinQ System.
- For use with Gun Boot 6.0 Impact by Kolpin.

**G2 (except MAX, 6X6 & X mr 1000)**

715002112 • Black **746 zł**

**G2 (MAX & X mr 1000 models only)**

715002113 • Black **705 zł**

### MULTI-FIT HOLDER

- Open U-shaped bracket for carrying tools (shovel, axe) and hunting weapons (rifle, bow) that are safely secured, but easily accessible.
- Easy installation on tubular rack, extension racks, basket or bumpers.
- For G2, the LinQ Rack Extension (715001711) is required.
- Sold in pairs.

**G2, G2L**

**Single**

715001945 **359 zł**

715002354

**Double 255 zł**

**Double**



## OUTLANDER | RENEGADE

### GEAR GRIPS BY KOLPIN

- Durable, flexible grips cushion and protect while providing a custom fit for a variety of items from 1" to 4" (2.5 cm to 10 cm) in diameter.
- Heavy-duty design for carrying bows, fishing poles, rakes, farm tools and more.
- Quick-release button opens grip quickly for easy access to gear.
- Heavy-duty base system built for the toughest adventures.
- Easy installation on tubular racks, extension racks, brackets or bumpers.
- Sold in pairs.

**G2L**

**388 zł**

715001421



### LinQ MOUNTED GEAR GRIPS BY KOLPIN

(Not illustrated)

- Same features as Gear Grip by Kolpin (715001421).
- Make transporting your tools a snap by combining the Gear Grips with the LinQ System.
- 360° orientation.
- LinQ Luggage Rack (715001734) is required for G2S.

**G2, G2S**

**613 zł**

715001351

### LinQ TOOL HOLDER

- Ultra-versatile tool holder.
- Convenient swivel-latch allows tools to be stored in any orientation.
- LinQ Luggage Rack (715001734) is required for G2S.
- Sold in pairs.

**G2, G2S, G2L**

715003059 **255 zł**





OUTLANDER | RENEGADE

# HMWPE SKID PLATES

Our Plastic Plates glide smoothly and silently over obstacles, offering great protection in rough terrain. Made of 1/4" (6 mm) thick abrasion-resistant thermoformed High Molecular Weight Polyethylene (HMWPE).

- ✓ Lighter than aluminum
- ✓ Superior stress crack resistance
- ✓ High impact strength



715004806

Offer your Outlander or Renegade the full protection kit or get them individually	G2						G2L		G2S	
	2016 & PRIOR		2017-2018		2019 & UP		Except MAX models	MAX models only	2017-2018 MODELS	2019 & UP
	Except MAX & X mr 1000R models	MAX & X mr 1000R models only	Except MAX & X mr 1000R models	MAX & X mr 1000R models only	Except MAX & X mr 1000R models	MAX & X mr 1000R models only				
<b>HMWPE SKID PLATE PROTECTION KIT</b>	715004214	715004215	715004209	715004210	715004806	715004807	715004211	715004212	715004213	715004809

## INDIVIDUAL HMWPE SKID PLATES

① <b>A-ARM PROTECTORS</b>	715002924	715002924	715002924	715002924	715004822	715004822	715002924	715002924	715002924	715004822
	<b>556 zł</b>	<b>556 zł</b>	<b>556 zł</b>	<b>556 zł</b>	<b>556 zł</b>	<b>556 zł</b>	<b>556 zł</b>	<b>556 zł</b>	<b>556 zł</b>	<b>556 zł</b>
② <b>UNDERBELLY PLATES</b>	715002926	715002927	715002926	715002927	715002926	715002927	715002928	715002929	715002974	715002974
	<b>2061 zł</b>	<b>2175 zł</b>	<b>2061 zł</b>	<b>2175 zł</b>	<b>2061 zł</b>	<b>2175 zł</b>	<b>2061 zł</b>	<b>2061 zł</b>	<b>2061 zł</b>	<b>2061 zł</b>
③ <b>TRAILING ARM PROTECTORS</b>	715002925	715002925	715003466	715003466	715004823	715004823	715003466	715003466	715003466	715004823
	<b>513 zł</b>	<b>513 zł</b>	<b>556 zł</b>	<b>556 zł</b>	<b>556 zł</b>	<b>556 zł</b>	<b>556 zł</b>	<b>556 zł</b>	<b>556 zł</b>	<b>556 zł</b>

Some products shown may not be available or homologated in your country. Contact your BRP dealer for local details.



**OUTLANDER | RENEGADE**

# PLASTIC SKID PLATES

Our Plastic Plates glide smoothly and silently over obstacles, offering great protection in rough terrain. Made of abrasion-resistant thermoformed High Molecular Weight Polyethylene (HMWPE).

✓ Lighter than aluminum.



715003046

SKID PLATES

ACCESSORIES

Offer your Outlander & Renegade the full protection kit or get them individually

Outlander

Outlander MAX

Outlander 6x6

G2, G2S

G2I

G2L MAX

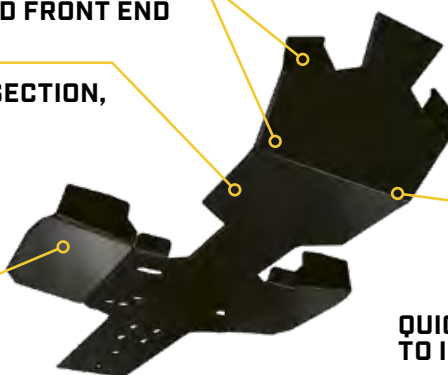
**INDIVIDUAL PLASTIC SKID PLATES**

	Outlander	Outlander MAX	Outlander 6x6	G2, G2S	G2I	G2L MAX
① A-ARM PROTECTORS G2	715002924 <b>556 zł</b>	715002924 <b>556 zł</b>	715002924 <b>556 zł</b>	715002924 <b>556 zł</b>	—	—
② TRAILING ARM PROTECTORS G2	715002925 <b>513 zł</b>	—	715002925 <b>513 zł</b>	715002925 <b>513 zł</b>	—	—
③ PLASTIC SKID PLATE G2	715006019 <b>1490 zł</b>	715006020 <b>1543 zł</b>	715005290 <b>2289 zł</b> 715005320 (MAX) <b>2520 zł</b>	—	715006115 <b>1490 zł</b>	715006116 <b>1543 zł</b>

**CURVED FRONT END**

**FULL SIZE CENTER SECTION, 10 MM THICK**

**FOOTWELL PLATES, 8 MM THICK**



**PRE-DRILLED HOLES**

**QUICK AND EASY TO INSTALL**

Cennik zawiera sugerowane ceny detaliczne brutto w walucie PLN. Ceny mogą ulec zmianie bez wcześniejszego uprzedzenia. Cennik nie jest ofertą w rozumieniu prawa.



**OUTLANDER**

# ALUMINUM SKID PLATES

For ultimate durability and strength, all our Aluminum Skid Plates are made with High Strength 5052 H32 Aluminum 3/16" (4.5 mm) thick.

- ✓ Ultimate durability
- ✓ High strength



715004197

Offer your Outlander the full protection kit or get them individually	G2						G2L	
	2016 & PRIOR		2017-2018		2019 & UP		ANY YEAR	
	Except MAX & X mr 1000R models	MAX & X mr 1000R models only	Except MAX & X mr 1000R models	MAX & X mr 1000R models only	Except MAX & X mr 1000R models	MAX & X mr 1000R models only	Except MAX models	MAX models only
<b>HMWPE SKID PLATE PROTECTION KIT</b>	715002137	715002138	715004197	715004198	715004804	715004805	715004199	715004200

**INDIVIDUAL HMWPE SKID PLATES**

① <b>A-ARM PROTECTORS</b>	715001667 648 zł	715001667 648 zł	715001667 648 zł	715001667 648 zł	715004820 626 zł	715004820 626 zł	715001667 648 zł	715001667 648 zł
② <b>FRONT SKID PLATE</b>	715000926 362 zł	715000926 362 zł	715000926 362 zł	715000926 362 zł	715000926 362 zł	715000926 362 zł	715001906 362 zł	715001906 362 zł
③ <b>CENTRAL SKID PLATE</b>	715002078 524 zł	715002078 524 zł	715002078 524 zł	715002078 524 zł	715002078 524 zł	715002078 524 zł	715002078 524 zł	715002078 524 zł
④ <b>FOOTWELL PROTECTOR PLATES</b>	715000922 674 zł	715000922 674 zł	715000922 674 zł	715000922 674 zł	715000922 674 zł	715000922 674 zł	715000922 674 zł	715000922 674 zł
⑤ <b>TRAILING ARM PROTECTORS</b>	715001129 572 zł	715001129 572 zł	715003741 556 zł	715003741 556 zł	715004821 583 zł	715004821 583 zł	715003741 556 zł	715003741 556 zł
⑥ <b>REAR DIFFERENTIAL PROTECTORS</b>	715000920 309 zł	715000920 309 zł	715000920 309 zł	715000920 309 zł	715000920 309 zł	715000920 309 zł	715000920 309 zł	715000920 309 zł
⑦ <b>REAR SKID PLATE</b>	715002028 362 zł	715002029 524 zł	715002028 362 zł	715002029 524 zł	715002028 362 zł	715002029 524 zł	715002028 362 zł	715002029 524 zł

Some products shown may not be available or homologated in your country. Contact your BRP dealer for local details.



**RENEGADE**

# ALUMINUM SKID PLATES

For ultimate durability and strength, all our Aluminum Skid Plates are made with High Strength 5052 H32 Aluminum 3/16" (4.5 mm) thick.

- ✓ Ultimate durability
- ✓ High strength



715004201

SKID PLATES

ACCESSORIES

Offer your Renegade the full protection kit or get them individually

**G2S**

**ALUMINUM SKID PLATE PROTECTION KIT**  
NOT COMPATIBLE ON X MR MODELS

2016 & PRIOR

2017-2018

2019 & UP

715002139

715004201

715004808

**INDIVIDUAL ALUMINUM SKID PLATES**

① **A-ARM PROTECTORS**

715001667  
**648 zł**

715001667  
**648 zł**

715004820  
**626 zł**

② **FRONT SKID PLATE**

715000925  
**362 zł**

715000925  
**362 zł**

715000925  
**362 zł**

③ **CENTRAL SKID PLATE**

715002078  
**524 zł**

715002078  
**524 zł**

715002078  
**524 zł**

④ **FOOTWELL PROTECTOR PLATES**  
NOT COMPATIBLE ON X MR MODELS

715001359  
**799 zł**

715001359  
**799 zł**

715001359  
**799 zł**

⑤ **TRAILING ARM PROTECTORS**

715001129  
**572 zł**

715003741  
**556 zł**

715004821  
**583 zł**

⑥ **REAR DIFFERENTIAL PROTECTORS**

715000920  
**309 zł**

715000920  
**309 zł**

715000920  
**309 zł**

⑦ **REAR SKID PLATE**

715002028  
**362 zł**

715002028  
**362 zł**

715002028  
**362 zł**



**OUTLANDER 6X6**

# HMWPE & ALUMINUM SKID PLATES

Our Plastic and Aluminum Plates glide smoothly and silently over obstacles, offering great protection in rough terrain.

**HMWPE**

Made of 1/4" (6 mm) thick abrasion-resistant thermoformed High Molecular Weight Polyethylene (HMWPE).

- ✓ Lighter than aluminum
- ✓ Superior stress crack resistance
- ✓ High impact strength

**ALUMINUM**

Made with High Strength 5052 H32 Aluminum 3/16" (4.5 mm thick).

- ✓ Ultimate durability
- ✓ High strength



Offer your Outlander 6x6 a full protection solution by combining our skid plates or get them individually.	G2 6X6			G2L 6X6
	2016 & PRIOR	2017 - 2018	2019 & UP	ANY YEAR
<b>INDIVIDUAL HMWPE SKID PLATES</b>				
① HMWPE A-ARM PROTECTORS	715002924 556 zł	715002924 556 zł	715004822 556 zł	715002924
② HDPE FULL UNDERBELLY SKID PLATE	715003646 (Except MAX) 860200896 • Europe 715003647 (MAX only) 2520 zł	715003646 (Except MAX) 860200896 • Europe 715003647 (MAX only) 2520 zł	715003646 (Except MAX) 860200896 • Europe 715003647 (MAX only) 2520 zł	715005259 (MAX only) 3232 zł
③ HMWPE TRAILING ARM PROTECTORS	715002925 513 zł	715003466 556 zł	715004823 556 zł	715003466 556 zł
<b>INDIVIDUAL ALUMINUM SKID PLATES</b>				
① ALUMINUM A-ARM PROTECTORS	715001667 648 zł	715001667 648 zł	715004820 626 zł	715001667 648 zł
② ALUMINUM FULL UNDERBELLY SKID PLATE	—	—	—	—
③ ALUMINUM TRAILING ARM PROTECTORS	715001129 572 zł	715003741 556 zł	715004821 583 zł	715003741 556 zł



# CAN-AM BUMPERS

The strength to endure and the character to wear well—  
our bumpers are ready for it.



**FIT &  
COMPATIBILITY**



**QUALITY &  
RELIABILITY**



**STYLE &  
VISION**

## HEAVY-DUTY LOOKS

Real capability—with a durable fit and finish you'll just have to age yourself



BUMPERS & GUARDS



ACCESSORIES

**DURABILITY SLEEK  
ENOUGH TO WORK  
ALONGSIDE YOUR HERD**

**COMPLETE RANCHER  
PROTECTION KIT**

See p. 35



**100%**

**integrated**

Designed to seamlessly integrate with the style, fit, finish, and capability of your ATV.



**Durable textured finish**

For long life and better resistance to scratches and corrosion.





# 3 BUMPERS & GUARDS

BUMPERS & GUARDS



## OUTLANDER

### XT BUMPERS

- Provide additional protection against obstacles.
- Tough and durable, can be added on base Outlander model to convert vehicle into XT model.
- Standard on XT, X TP, Mossy Oak and Limited models.
- Large tube construction with textured black finish and metal corners.

#### XT FRONT BUMPER

G2 **891 zł**  
715004837

#### XT REAR BUMPER

G2 **891 zł**  
715004920



- Large tube construction.

#### XT FRONT BUMPER

• Winch compatible.  
G2L **665 zł**  
715001910

- Protects vehicle against obstacles.

#### XT FRONT COUPLING DEVICE

(Not illustrated)  
• Required for T3 models.  
T3 **180 zł**  
705205025

- Standard on XT models.

#### XT REAR BUMPER

G2L **526 zł**  
715001911



Some products shown may not be available or sold separately in your country. Contact your BRP dealer for local details.

ACCESSORIES





RANCHER REAR BUMPER

WORK AND MOVE CONFIDENTLY WITH HEAVY-DUTY, HERD-FRIENDLY PROTECTION OPTIONS



RANCHER FRONT BUMPER

## OUTLANDER

# COMPLETE RANCHER PROTECTION KIT

- These heavy-duty bumpers and fender guard are designed to pull double duty: protect your ATV and anything it comes in contact with, while also enhancing the look of your ATV.
- Made tough and designed to deliver a rugged appearance, together they offer front, rear and full side protection for farmer, rancher and forestry applications.
- Requires Body Side Protector Extensions (715003460) for installation on MAX models.
- Not compliant with T-category vehicles.

### This kit includes:

- Rancher Front Bumper (715003461) **1440 zł**
- Rancher Rear Bumper (715003462) **1214 zł**
- Body Side Protector (715003459) **1569 zł**

**G2, G2L (except X mr & 6x6 models)**  
715003463

## RANCHER FRONT BUMPER

- The low front end protection and plates allow you to use your ATV within cattle herds and guard the safety of both the vehicle and the animals.
- The flat front portion facilitates gently prodding cattle or pushing light objects, e.g. closing a fence.
- Inside and outside anti-corrosion coating with durable powder coat finish.
- The full frontage coverage extends to provide an extra layer of defense to your headlights and radiator.
- Not compatible with track systems, plows and front hitch.
- Not compliant with T-category vehicles.

**G2, G2L (except X mr models)**

715003461 **1440 zł**



## RANCHER REAR BUMPER

- Ideal for using your ATV within cattle herds and guard the safety of both the vehicle and the animals.
- Coverage extends to provide an extra layer of defense to your tail lights.
- Inside and outside anti-corrosion coating with durable powder coat finish.
- Not compatible with track systems.
- Not compliant with T-category vehicles.

**G2, G2L (except 6x6 models)**

715003462 **1214 zł**





## OUTLANDER

### BODY SIDE PROTECTOR

- The heavy-duty fender guard designed to pull double duty: protecting your ATV and also enhancing the look of your ATV.
- Made tough and designed to deliver a rugged appearance, this fender guard offers full side protection for farmer, rancher and forestry applications.
- Built of durably bold 1.25" (3 cm) diameter steel-tube construction, with inside and outside anti-corrosion coating with durable powder coat finish.
- Not compatible with Self Clearing Footwell.
- XT Front and Rear Bumpers or Rancher Front and Rear Bumpers are required for installation.
- Requires Body Side Protector Extensions (715003460) for installation on MAX models.

**G2, G2L, with Rancher bumpers**  
(except X mr & 6x6 models)

715003459 **1561 zł**

**G2L with XT bumpers**  
(except X mr & 6x6 models)

715003614 **1711 zł**

**G2 with XT bumpers**  
(except 6x6 models)

715004940 **1613 zł**



### BODY SIDE PROTECTOR EXTENSIONS

(Not illustrated)

- This specially designed extension for the Body Side Protector is made specifically to fit and seamlessly integrate the look of Outlander MAX models.

**G2, G2L**  
(MAX models only)

715003460 **312 zł**

### EXTREME FRONT BUMPER

- Ultra-sturdy build.
- Enhances front-vehicle protection.
- Compatible with XT Front Bumper.
- Fits the Apache™ 360 Track System (when side panels are removed).
- Not compliant with T-category vehicles.

**G2** **G2L**  
• Not compatible with Front Hitch. 715004279  
715001286 **1191 zł**

**1289 zł**



715001286



715004279

## OUTLANDER 6X6

### FLATBED PROTECTION TUBES

- Bolt-on bumpers for the sides of the 6x6 flatbed.
- Protect the exterior plastic components of the flatbed from rocks, trees and other obstacles when traversing enclosed areas or loading cargo onto the bed.

**G2L (6x6 models only)** **G2 (6x6 models only)**

715005266 715002030

**1515 zł**

**2180 zł**



715005266



715002030

## RENEGADE

### RENEGADE EXTREME FRONT BUMPER

- Enhanced vehicle front protection.
- Required as a mounting point for Radiator Relocator (715001929).

**G2S** **2162 zł**



Some products shown may not be available or homologated in your country. Contact your BRP dealer for local details.



## OUTLANDER

### FENDER FLARES

- Kit designed to deliver extra protection from dirt and debris, therefore a must if you enjoy riding in the mud.
- Made of injected plastic that hugs your vehicle fenders perfectly.
- Gives vehicle added flair for that rugged cool look.
- Includes front and rear extensions and all mounting hardware.

**G2 2012-2018**  
(except with 30" tires)  
(except 6x6 models)

715001764 **619 zł**

**G2 2019 & up**  
(with 30" tires)  
(except 6x6 models)

• Standard on G2 X mr 1000R.  
715004250 **619 zł**

**G2L**  
• Not compatible with European vehicles

715001909 **619 zł**

**G2L European vehicles only 2015 & up**

715004487 **671 zł**



### FENDER FLARE EXTENSIONS

- Block terrain debris from kicking up onto you as you ride or damaging your vehicle thanks to these extra-large Fender Flare Extensions, which also include mud flaps for added protection from mud/snow, especially when riding with track kits.
- Made of High Molecular Weight Polyethylene (HMWPE) for advanced abrasion resistance.
- Include front and rear extensions.

**G2 (except 6x6 models)**

• Must be used with Fender Flare for G2 (715001764).  
715005111 **1041 zł**

**G2L**

• Must be used with Fender Flare for G2L (715001909).

715003615 **1041 zł**



## RENEGADE

### FENDER FLARES

- Integrated extended Fender Flares for sporty look and full body protection from dirt and water.
- Include front and rear extensions and all mounting hardware.

**G2S (except X mr models)**

705012695 **983 zł**





## OUTLANDER | RENEGADE

### HEATED GRIPS & THUMB THROTTLE COMBO

• Not compatible with Intelligent Throttle Control (ITC).

**G2, G2L, G2S (except 2020 models equipped with 850 engine and 2019 & up models with 1000R engine and T Category models)**

715003250 **1284 zł**

For T3 models MY18.5

715004747 **1307 zł**

• Compatible with Intelligent Throttle Control (ITC).

**G2, G2L, G2S (2020 models equipped with 850 engine and 2019 & up models with 1000R engine and T Category models)**

715004815 **1284 zł**



**EXPERT CHOICE**

Heat, where you want it. This popular upgrade takes the chill from cold, wet rides.

① LED dimmer facilitates reading temperature settings.

② 4 temperature settings with individual controls for thumb and grips. Returns to previous heat setting.

③ One-touch shutdown.

Wiring Cable (710004567) **52 zł** is required for installation on G2 and G2L.

### ENGINE HEATER

(Not illustrated)

**Outlander 500 / 570 / 650 / 800 (G1/G2)**

605154278 **1012 zł**

**Outlander 1000 (G2)**

715002043 **1128 zł**

### HEATED VISOR OUTLET

- Strategically positioned on vehicle to maintain your agility.
- Optional visor outlet that delivers fog-free riding.
- Quick and easy installation.
- Sold individually.
- Heated Visor not included.

**G2, G2L**

715001246 **274 zł**

### OUTLANDER

#### HEATED PASSENGER GRIPS & VISOR OUTLET

- Replace your stock passenger handles.
- Dual temperature switch integrated into seat arm for 3-zone heated handles and grips.
- Heated visor outlet integrated into seat arm.

**G2, G2L (MAX models only)**

715001926 **1174 zł**

**G2 (2013-2014) (MAX models only)**

715002116 **1122 zł**

### TRAILER CONNECTOR SOCKET KIT

(Not illustrated)

**G1**  
619400077 **781 zł**

**G2**  
860200927 **474 zł**

### WIRING CABLE

(Not illustrated)

• Required for installation of Heated Hand Grips & Throttle Combo.

**G2L**  
710004567 **52 zł**



Some products shown may not be available or homologated in your country. Contact your BRP dealer for local details.

Cennik zawiera sugerowane ceny detaliczne brutto w walucie PLN. Ceny mogą ulec zmianie bez wcześniejszego uprzedzenia. Cennik nie jest ofertą w rozumieniu prawa.





## OUTLANDER | RENEGADE

### ELECTRONIC DEVICE HOLDER

- Robust injected-polypropylene construction allows for the right fit and easy installation.
- Adjustable unit safely holds smartphones or small tablets with a length or width measuring between 2.9" (7.5 cm) and 5.1" (13.0 cm) with or without protective case.
- Integrated storage (0.6 Gal / 2.1L).
- Guiding wire grooves to pass charging cable through the lid.
- Possibility of relocating 12V power outlet or installing USB outlet in storage compartment (USB power outlet sold separately).
- Not compatible with windshields and Snorkel Kit.

**G2, G2L (except 6x6 & X mr models)**

**715004919 648 zł**



Integrated storage with access to the dash 12V outlet for device charging

### BLUETOOTH HANDLEBAR SOUNDBAR BY MTX

- Bluetooth speaker with the unbeatable convenience of fingertip control.
- Rugged IP66-rated weather-resistant speaker designed for outdoor use.
- Driven by 150 watts of quality audio power.
- Seamless integration and operation from Bluetooth enabled devices.
- Includes input, ground and ignition wires, plus auxiliary port and 3.5" (8.89 cm) connector cable.
- Not compatible with XT Handlebar Protector Kit.

Note: We recommend you use 320 Kbps MP3 - 192-256 Kbps AAC or AIFF, WAV formats to match the potential of the speaker. More compressed formats will probably have degraded sound quality.

**G2, G2L, G2S**

**219400840**



### USB POWER OUTLET KIT

- Recharges your electronic devices while riding\* (smartphone, MP3, heating gear, etc.).
- Dual port USB connectors.
- \*The power outlet is not capable of recharging all device types while riding.

**G2, G2L, G2S 219400510 179 zł**



### MULTI POSITION LIGHT MOUNT KIT

- Multi-position plastic clamps that fit on various tubing sizes: 0.75" to 1.5" (19 mm to 38 mm).
- Required for the installation of the 2" (5 cm) Square LED Lights (2 x 10W).
- Kit includes tube clamp mounts and power cables.

**G2 (except X xc), G2L, G2S 715004274 439 zł**







ALL LED LIGHTS ARE NOT CREATED EQUAL. BAJA DESIGNS LIGHTS ARE COVERED BY A LIFETIME WARRANTY.

## OUTLANDER

### BAJA DESIGNS HIGH BEAM KIT

- Thanks to their direct bolt-on and plug-and-play installation right into the original high beam location, upgrading from your stock high beam lights to these powerful Baja Designs Squadron Pro LED Lights becomes child's play.
- Each spot is equipped with 4 Cree LEDs producing 4,900 lumens at 40 watts.
- Driving/Combo light pattern for smooth blend of light for both near field applications and distance.
- Not EC compliant.

**G2** **3147 zł**  
715004284



Plug-and-play lighting upgrade gives eye-opening visibility, anywhere.

## OUTLANDER | RENEGADE

### 2" [5 CM] SQUARE LED LIGHTS (2 X 10 WATTS)

- 2 x 900 lumens 10W LED Cree light kit.
- Long-range illumination up to 350' (107 m), drawing less than 1 amp per light.
- Multi-Position Light Mount Kit is required for installation.
- Not EC compliant.

**G2 (except X xc), G2L, G2S**  
715004293 **812 zł**



### RAM<sup>+</sup> LED SPOTLIGHT

- 540 lumens LED light (9 Watt) heavy-duty spotlight standard-equipped with 1" (2.5 cm) diameter rubber-coated double ball and socket system.
- Not EC compliant.

**G2, G2L, G2S**  
710005423 **480 zł**



### AUXILIARY WINDSHIELD LIGHTING

- 2 premium LED spots for Deluxe Fairing for both increased output and directional lighting.
- 1,800 lumens.
- 2 x 10W LED Cree light kit.
- Long-range illumination up to 350' (107 m), drawing less than 1 amp per light.

**Deluxe Fairing** **1634 zł**  
715003115



## RENEGADE

### CENTER CONSOLE DAY LIGHT

- Mountable on top end of center console.
- Enhances look of vehicle.

**G2S (except X mr)**  
715000691 **247 zł**



Some products shown may not be available or homologated in your country. Contact your BRP dealer for local details.

Cennik zawiera sugerowane ceny detaliczne brutto w walucie PLN. Ceny mogą ulec zmianie bez wcześniejszego uprzedzenia. Cennik nie jest ofertą w rozumieniu prawa.



## OUTLANDER | RENEGADE

### BATTERY CHARGER/ MAINTAINER

- Fully automatic 3 amp battery charger / maintainer.
- Keeps stored lead-acid batteries charged.
- Charges and maintains small batteries.
- Microprocessor controlled multi-stage charging for added precision, safety and battery life.
- Automatically detects 6 or 12 volt batteries.
- Float mode monitoring automatically maintains optimum battery charge.
- Reverse hook-up protection helps protect battery and charger from damage.
- Hook attachment hangs outside the work area for safety and convenience.
- Press the display button to show the charge progress.
- Energy efficient/eco friendly, meets the highest industry standards for energy efficiency.
- Content: 3 amp battery charger, clamp adapter, DC adapter, 24" (61 cm) fused ring leads harness with weather cap, owner's manual.
- US plug (110V).

715005061



Keep your batteries charged and ready to go, automatically and efficiently.

### QUICK CONNECT BATTERY CABLE

- Quickly and easily connect and charge different items with your charger.
- Included in the Battery Charger/ Maintainer (715005061).
- Sold individually.

715005408 **39 zł**



### New QUICK CONNECT CABLE WITH BATTERY INDICATOR

- Quickly and easily connect and charge different batteries with your charger.
- 3-color LED indicator provides constant battery health indication.
- Sold individually.

715006055 **103 zł**



### GARMIN<sup>†</sup> MONTANA<sup>†</sup> 680T GPS

- Rugged and waterproof, the Montana 680T is element-proof.
- 4" (10.2 cm) dual-orientation, sunlight-readable touchscreen and glove-friendly touchscreen display, to give you vivid colors and high-resolution images.
- 8-megapixel autofocus camera automatically geotags photos.
- Tracks both GPS and GLONASS satellites for improved positioning and typically faster fixes.
- Preloaded TOPO maps, plus 1-year BirdsEye Satellite Imagery subscription.
- 3-axis compass with barometric altimeter.
- Specific GPS cradle included (vehicle mounting kit required).
- Includes a preloaded map for US.

**G2, G2L, G2S**

715002830

**4174 zł**

**European Version**

- EC compliant.
- Includes preloaded European recreation maps.

715003456

**4145 zł**



### CTEK BRP 5.0 BATTERY CHARGER

- CTEK, the manufacturer of the smartest battery chargers in the world, has produced a BRP specific charger for all BRP products.
- Charger is built to meet the demanding arctic conditions.
- Ask your dealer for more information.

860200997



### GPS RAM MOUNT FOR HANDLEBAR

- Convenient bracket for installing the Garmin Montana GPS (not included) onto your unit's handlebar.

**G2, G2L**

715001985

**331 zł**







## OUTLANDER | RENEGADE

### WARN<sup>+</sup> VRX

- Extreme IP68-rated waterproof sealing keeps the elements out.
- Durable all-metal construction.
- Black powder-coated finish and stainless steel fasteners for corrosion resistance.
- Robust new clutch design based on 70+ years of WARN 4WD hub lock know-how.
- Load-holding brake for great control.
- Smooth and reliable all-metal three-stage planetary gear train.
- Handlebar-mounted rocker control.
- Limited lifetime warranty (mechanical), 3-year warranty (electrical).
- Winch mounting plate (71500927) is required for G2S.
- Winch wire harness (715002453) is required for G2L.
- EC compliant.

#### WARN VRX 25

- Pulling strength capability of 2,500 lb (1,134 kg).
- 50 ft. of 3/16" (15 m of 4.8 mm) wire steel cable.
- Cast aluminum fairlead.

**G2, G2L, G2S**  
715006107

**2186 zł**



#### WARN VRX 35

- Pulling strength capability of 3,500 lb (1 588 kg).
- 50 ft. of 7/32" (15 m of 5.5 mm) wire steel cable.
- Cast aluminum fairlead.

**G2, G2L, G2S**  
715006108

**2352 zł**



#### WARN VRX 35-S

- Pulling strength capability of 3,500 lb (1 588 kg).
- 50 ft. of 3/16" (15 m of 4.8 mm) synthetic rope.
- Cast aluminum fairlead.

**G2, G2L, G2S**  
715006109

**2857 zł**



## OUTLANDER

### CAN-AM HD

- Heavy-duty 4-way roller fairlead.
- Ergonomic clutch handle.
- Rugged all-steel gears and bushings provide more torque and longer life.
- Automatic 100% load-holding brake.
- Sealed solenoid for all-weather protection.
- Wired Remote Control sold separately.
- Weather sealed handlebar mounted switch.
- Winch mounting plate (71500927) is required for G2S.
- Winch wire harness (715002453) is required for G2L.
- EC compliant.

#### CAN-AM HD 2500 WINCH

- Pulling strength capability of 2,500 lb (1,134 kg).
- 50 ft. of 3/16" (15.2 m of 4.8 mm) wire steel cable.

**G2, G2L**  
715006414

**1343 zł**



#### CAN-AM HD 3500 WINCH

- Pulling strength capability of 3,500 lb (1,588 kg).
- 50 ft. of 7/32" (15.2 m of 5.5 mm) wire steel cable.

**G2, G2L**  
715006415

**1488 zł**



## OUTLANDER 6X6

### REAR WINCH KIT

- The remote-controlled rear winch is a godsend when you want to pull yourself out of a tough spot or move heavy loads.
- Includes a fully-sealed Warn winch and all wiring and hardware needed for an easy and quick installation.
- Pulling strength capability of 3,000 lb (1,361 kg).
- 50 ft. of 7/32" (15.2 m of 5.5 mm) wire steel cable.

**G2 (6x6 models only) 2311 zł G2 (4x4) 2701 zł**  
715006503 - Europe 715007100

**G2L (6x6 L models only)**  
715007099



Some products shown may not be available or homologated in your country. Contact your nearest ERP dealer for local details.



## OUTLANDER | RENEGADE

### WARN HAWSE FAIRLEAD

- Double-powder-coated construction.
- Required to use the Synthetic Winch Cable (715004254) on Warn winches.
- To be used with synthetic winch cables only.

**Warn winches 359 zł**

715004255



### WINCH MOUNTING PLATE

- Adds functionality to your Renegade.
- Fits Can-Am winches by Warn.

**G2S 572 zł**  
715000927



### WINCH ACCESSORIES KIT

- Get the most out of your winch.
- Double your pulling power, change your pulling direction and keep your winch in proper working order.
- Includes tree straps, snatch block, shackle and winching gloves.

715002409 **567 zł**



### WIRELESS REMOTE CONTROL

- The system is quick and easy to install, thanks to a wiring harness with an integrated antenna and all necessary mounting hardware.
- The system allows you to operate your winch from anywhere within a 50' (15.2 m) radius, increasing your recovery options.
- All components are weatherproof.

**Warn winches 916 zł**

715002542



### WIRED REMOTE CONTROL

- This kit allows winch owners to add the hand-held remote to their winch.
- EC compliant.

**For ATVs with handlebar winch remote socket**

710002270 **199 zł**

**ATVs without the winch remote socket**

- Side panel Remote Socket (715003651) is required. **130 zł**

**Can-Am HD winches**

710007050 **62 zł**

**Can-Am WARN winches**

715006378 **New 393 zł**



### ROLLER FAIRLEAD

- Features top, bottom and side rollers for less cable wear and smoother operation from any direction for easier winching.

715000011 • Warn winches **308 zł**

705204571 • Can-Am HD winch **190 zł**

705009222 • Plow Roller Fairlead **308 zł**



### HOOK WITH SAFETY LATCH & STRAP KIT

- Heavy-duty winch-rope hook with stainless steel snap.
- Includes a nylon safety strap.

**Can-Am HD winches**

705014949 **86 zł**



### REPLACEMENT WIRE ROPE

- Play it safe, always carry a replacement wire rope.
- 3,500 lb (1,588 kg) pulling strength.

**Can-Am HD 2500**

- 50 ft. of 3/16" (15.2 m of 4.8 mm) wire rope.

705014983 **82 zł**

**ATV Warn winches**

- 50 ft. of 7/32" (15.2 m of 5.5 mm) wire rope.

705009321 **151 zł**

**ATV Warn winches**

- 50 ft. (15.2 m) aircraft grade steel wire.
- 7/32" (5.5 mm) diameter.

715006256 **335 zł**



### SYNTHETIC WINCH CABLE

- Easier to manipulate than steel cable.
- Replaces the original cable on any factory installed Warn winch or sold as an accessory by BRP.
- Kit includes synthetic rope and rock guard sleeve.
- Always use with new Hawse Fairlead (715004255).
- 50 ft. (15.2 m).
- 3,500 lb (1,588 kg) pulling strength.

**ATV Warn winches**

715004254 **619 zł**



### WARN REMOTE SOCKET

(Not illustrated)

- Winch remote socket, located on side panel, is required for wired remote control.

715003651 **130 zł**

### WINCH WIRE HARNESS

(Not illustrated)

- Required plug-and-go wiring to install Warn winch only.
- Not required for Can-Am HD winches.

**G2L 185 zł**  
715002453

### HARDWARE ADAPTER KIT

(Not illustrated)

- Required to install Warn Winch Kit (715006107, 715006109) on 2016 and up models.
- Required to install Can-Am HD 2500 Winch (715006414) and Can-Am HD 3500 Winch (715006415) on G2L 2017 and up models.

715003477 **178 zł**





## MULTITRAILER

- Bogie wheels updated to be more silent than before and now equipped with grease nipples.
- Product developed for heavy-duty use.
- 100% galvanized steel.
- Specifications: 12 mm polywood base, strong stand, movable attachment points (4 pc), tipping bed, removable sides and 4 pc timber holder.

619590024 **9000 zł**

- Underside of the bogie and frame designed to travel over stones and logs (no sharp edges).
- Bed length: 182 cm
- Bed width: 66 cm bottom / 95 cm top
- Bed height: 60 cm
- Weight: 200 kg with timber holders and sides

## TIMBER LOCKING SPRING

(Not illustrated)

619600007 **30 zł**

## TIMBER WALL

(Not illustrated)

619590026 **1226 zł**

## TIMBER STICKS (2 PCS)

(Not illustrated)

619590025 **769 zł**

## SPARE WHEEL + RIM (DEESTONE) STANDARD FROM 7/2016

(Not illustrated)

619590398 **942 zł**

Some products shown may not be available or homologated in your country. Contact your BRP dealer for local details.

Cennik zawiera sugerowane ceny detaliczne brutto w walucie PLN. Ceny mogą ulec zmianie bez wcześniejszego uprzedzenia.  
Cennik nie jest ofertą w rozumieniu prawa.



ADD TOWING CAPACITY  
FOR ALL YOUR  
UTILITY HARD WORK



HITCHES

ACCESSORIES

## OUTLANDER | RENEGADE

### FRONT & REAR HITCH DRAWBAR

- Standard on 2" (5 cm) receiver hitch.
- It offers 1,500 lb (680 kg) of towing capacity.
- Hitch ball not included.

**G2, G2L, G2S**

715000972 **411 zł**

**European Version**

- Drawbar with 2" (5 cm) hitch ball.

705208131 (T Homologated) **937 zł**

5347256 Hitch ball **149 zł**



### RUBBER RECEIVER PLUG

- Rubber cap for 2" (5 cm) hitch receiver.

705204503 **57 zł**



### REAR HITCH

- E-coat finish.
- Fixed hitch ball mounting bracket.
- Provides fixed mounting point for trailer ball to provide vehicle with towing capabilities.
- This hitch offers 1,500 lb (590 kg) of towing capacity.
- Hitch ball not included.

**G2, G2L, G2S (except 6x6 models)**

715001925 **236 zł**



### REAR RECEIVER HITCH

- E-coat finish.
- Does not affect ground clearance.
- Trailer ball not included.
- On 4X4 use, this hitch offers 1,654 lb (680 kg) of towing capacity.
- On 6X6 use, this hitch offers 1654 lb (750 kg) of towing capacity.
- Compliant with European T regulations.
- Not compatible with rear bumpers and G2L models.

**G2S 2012 with 800R or 1000 engines.**

**G2S 2013 & up, G2L & G2**

715005186 **549 zł**



## OUTLANDER

### FRONT RECEIVER HITCH

- Front receiver hitch for Outlander with or without a winch.
- This hitch offers 1,500 lb (590 kg) of towing capacity.
- Allows you to maneuver your trailer easily in tight, confined areas.
- Hitch bar sold separately.
- Not compatible with Extreme Front Bumper, Rancher Bumper and ProMount Plows.

**G2** **457 zł**

715000921





## OUTLANDER

### OUTLANDER RADIATOR RELOCATOR KIT

- Relocates radiator to top mount position.
- Prevents cooling performance loss in muddy conditions.
- Uses existing radiator.
- Includes support, hardware and hoses.
- Engineered for easy cooling system bleeding and maintenance.
- Radiator not included.

**G2, G2L**  
**715001930 2162 zł**



### OUTLANDER SNORKEL KIT

- Comprehensive kit.
- Extended air intakes and CVT exhaust.
- CVT outlet integrates into pod cover.
- Must be installed on a vehicle without XT Handlebar Protector Kit.
- Ideal for muddy conditions.
- For 6x6, appropriate gauge support is required for best fit and finish.
- Not compatible with windshields.

**G2 2015 & up, G2L (except X mr)**

**715005999 2006 zł**

**G2 (2012-2014 only)**

**715001730 1885 zł**

**G2 (X mr models only),**

**G2L (X mr models only)**

- Raised horn only.
- Provides higher intake.
- For best fit and finish, appropriate gauge support is required.

**715002518 492 zł**



**EXPERT  
CHOICE**

Factory-design  
fit-and-finish  
for outstanding  
deep mud and  
water fording  
performance.

### SELF-CLEARING FOOTWELLS

- Made from aluminum.
- Replace original footwells.
- Feature large evacuation ports to avoid mud and snow accumulation in footwells.
- Aggressive design for improved traction.
- Not compatible with Body Side Protectors.
- Sold in pairs.

**G2 2015 & up, G2L**  
**715004759 1289 zł**

**EXPERT  
CHOICE**

Aids in rider traction  
and clears heavy  
mud and snow  
debris with ease.

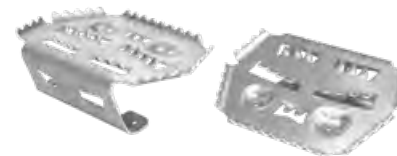


### X MR TRACTION PLATES

- Provide extra foot grip for driver when riding in extreme mud conditions.
- Help driver maintain ideal riding position to maximize vehicle traction.
- Made of aluminum.
- Not meant for a passenger.

**G2, G2L (MAX models only)**

**715001752 526 zł**



### FOOTPEG KIT

- Provides maximum integrated grip and more stability during vigorous riding.
- Kick-up end generates added grip during hard cornering.
- Made of aluminum.
- Sold in pairs.

**G2, G2L**  
**715001131 236 zł**



Some products shown may not be available or homologated in your country. Contact your BRP dealer for local details.



BELIEVE IT: YOUR RENEGADE IS A FEW MODS AWAY FROM BEING A TRUE MUD-READY BEAST

- RENEGADE SNORKEL KIT
- RENEGADE RADIATOR RELOCATOR KIT
- MUD STRAP

## RENEGADE

### RENEGADE SNORKEL KIT

- Comprehensive kit.
- Extended air intakes and CVT exhaust.
- CVT outlet integrates into pod cover.
- Ideal for muddy conditions.

**G2S** **2827 zł**  
715006000



### ADAPTER KIT

- (Not illustrated)
- Necessary to install the G2S Snorkel Kit (715001928) on 2012 to 2014 models.

**G2S (for 2012-2014 models only)**  
715003122 **247 zł**

### RENEGADE RADIATOR RELOCATOR KIT

- Relocates radiator to top mount position.
- Prevents cooling performance loss in muddy conditions.
- Uses existing radiator.
- Includes support, hardware and hoses.
- Engineered for easy cooling system bleeding and maintenance.
- Radiator not included.
- Renegade Extreme Front Bumper (715002469) required for installation (except X mr).

**G2S** **2162 zł**  
715001929



## OUTLANDER | RENEGADE

### MUD STRAP

- Convenient sturdy grab-handle.
- Lets drivers redistribute their weight for improved traction in demanding conditions.
- Not compatible with XT Handelbar Protector Kit (703100352).

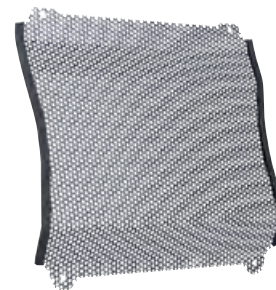
**G2, G2L, G2S** **205 zł**  
715003053



### RADIATOR PROTECTOR

- Metal shield that mounts over radiator face, providing protection from stones and branches.

**G2, G2S (except G2S with 500 engine)** **312 zł**  
715001744







**YOSHIMURA**  
EXHAUST MADE IN THE USA FOR  
**can-am**

**YOSHIMURA  
GIVES YOU THE  
EDGE WITH MORE  
PERFORMANCE  
& LESS WEIGHT**

## YOSHIMURA SLIP-ON EXHAUST

- Made from 304-grade stainless steel.
- Better sounding, better looking and lighter than stock muffler.
- USDF/USDA approved spark arrester.
- NON EPA compliant (for racing application only).
- Not EC compliant.
- Fuel injection system tuning not required.
- Not compatible with CARB & T Category models 2018 and up.

### OUTLANDER

G2 2018 & prior (except 6x6 models)  
715001738

G2 2019 & up (except 6x6 models)  
715005480

**2452 zł**



Not sold in Europe

### RENEGADE

G2S 2018 & prior (except 570  
engine and X mr models)  
715001739

G2S 2019 & up (except 570  
engine and X mr models)  
715005481

**2983 zł**

**2983 zł**



**EXPERT  
CHOICE**

Sound, engineering, and style: This exclusive slip-on Yoshimura exhaust roars like no other.

Some products shown may not be available or homologated in your country. Contact your BRP dealer for local details.

Cennik zawiera sugerowane ceny detaliczne brutto w walucie PLN. Ceny mogą ulec zmianie bez wcześniejszego uprzedzenia.  
Cennik nie jest ofertą w rozumieniu prawa.



**OUTLANDER | RENEGADE**



**FRONT SHOCK COVERS**

- Feature ventilation holes.
- Offer added protection in rough terrain and weather conditions.
- Sold in pairs.

**G2, G2L, G2S 205 zł**  
715500301



**HEAVY-DUTY SPRINGS**

- Heavy-duty springs provide enhanced stiffness.
- Perfect for snow clearing and hauling heavy loads.
- Improves handling and helps prevent accidental overturns.
- Sold in pairs.
- Standard on Outlander Pro and Mossy Oak models.

**Front**  
**G2 2012-2018 (Base model, DPS, XT, X mr with 650 engine only & Limited), G2S (Base model with 500 & 570 engines only)**

715003199 **532 zł**

**Rear**  
**G2 2012-2018 (Base model, DPS, XT & X mr with 650 engine only), G2S (Base model with 500 & 570 engines only)**

715003200 **532 zł**

**Front & Rear**  
**G2 2019 (Base, DPS & XT models)**

715005159 **1064 zł**

**Front**  
**G2L, G2L 6x6**  
715007203 **New 538 zł**



Front Rear

**EXTREME HEAVY DUTY REAR SPRING SET FOR OUTLANDER G2**

- (Not illustrated)  
• E.g. for use with Forest Pro Log Trailer.

715001998 **2399 zł**

**FOX SHOCKS**

- Engineered for the more aggressive riders.
- Offer increased bump absorption and better roll control.
- Offer a slightly firmer ride than standard kits but remain very versatile for all-around use.
- Kit includes 4 shocks and springs.
- Rebuildable.
- Threaded preload adjusters.

**G2 2012-2018 (except X mr, XT-P, Limited & 6x6 models), G2 X mr 650 (2012-2018), G2S (Base model with 500 & 570 only), G2L & G2L MAX**

715001471 **4868 zł**  
**G2, G2S 2019 & up**  
715005469 **5845 zł**



**FOX PERFORMANCE SHOCKS 1.5 PODIUM X RC2 HPG**

- High-performance front and rear shocks.
- Allow handling to readily adapt to terrain and riding style.
- Easy-adjust dual-speed compression, rebound and preload settings.
- Standard on G2S X xc.

**G2 2012-2018 (except X mr, Limited & 6x6), G2 X mr 650 & G2S (Base model & X mr 570 only)**

715003201 **11030 zł**  
**G2 2019 & up**  
715005470 **11030 zł**



**FOAM AIR FILTER BY TWINAIR<sup>†</sup>**

- Maximizes performance by increasing air flow throughout RPM range.
- Maintenance-friendly, i.e. just wash, re-oil and re-use after riding in severely dusty/muddy environments.

**G2, G2S, G2L 359 zł**  
715001333



**EMERGENCY KIT**

- Complete emergency kit provides all essential equipment and supplies to get out of most unfavorable situations powersport enthusiasts can find themselves in.

• Includes: Jumper Cables, Air Compressor, Tire Repair Kit, Ratchet Tie-Down, Duct Tape, Tow Strap 3,300 lb (1,500 kg), Zip-Ties, Cloth Rags.

715004359 **694 zł**



Cennik zawiera sugerowane ceny detaliczne brutto w walucie PLN. Ceny mogą ulec zmianie bez wcześniejszego uprzedzenia. Cennik nie jest ofertą w rozumieniu prawa.



# COVERS, DECALS & ADD-ONS

COVERS, DECALS & ADD-ONS

ACCESSORIES

## OUTLANDER | RENEGADE

### TRAILERING COVERS

- Heavy-duty canvas made of UV-resistant solution-dyed polyester.
- Protect windshield and colored panels from abrasion.
- All high-abrasion areas are reinforced with a double canvas layer.
- Opening for fuel cap access.
- Weather-resistant trailering cover protects your vehicle during transportation.
- Quick and easy installation.
- Designed to perfectly fit your vehicle with or without Can-Am accessories.

**G2 (except MAX models)**

715001737 **971 zł**

**G2 (MAX models only)**

715001736 **1168 zł**

**G2 (6x6 models only)**

715004488

**G2L (except MAX models)**

715002026 **971 zł**

**G2L (MAX models only)**

715002025 **1191 zł**

**G2S (except Xmr models)**

715000683 **873 zł**



### STORAGE COVERS

- Weather-resistant storage covers.
- For vehicle storage only.
- UV-resistant solution-dyed polyester construction.
- Quick and easy installation.
- Designed to perfectly fit your vehicle with or without Can-Am accessories.

**G2, G2L, G2 Xmr (except 1000), G2L Xmr, G2S, G2S Xmr**

715001720 **989 zł**

**G2, G2L (MAX models only)**

715001668 **942 zł**

**G2, G2L (except MAX models)**

715001597 • Mossy

Oak Break-Up **1116 zł**

Country Camo

**G2 MAX, G2Xmr**

**1000, G2L MAX**

715001735 • Mossy

Oak Break-Up

Country Camo

**1168 zł**



### STORAGE COVER (6X6)

- (Not illustrated)
- For storage use only.
  - Heavy-duty elastic cord around bottom for secure fit.
  - 100-denier polyester construction.
  - Fits with or without windshield and mirrors.

**G2 (6x6 models only)**

715002492 **1364 zł**

715002415 • Europe

**G2 MAX 6X6**

715004488

**G2L 6X6**

715005261 **1347 zł**

**G2L MAX 6X6**

715006024

**1064 zł**

### LOCKABLE GAS TANK CAP

- Protects your fuel.
- Meets EPA requirements.

**G2, G2L, G2S 198 zł**

860200387

619590085 • Scandinavia

**183 zł**



### LICENSE PLATE BRACKET

- Provides specific area to install license plate.
- Mounts to rear of vehicle.

**G2L**

715002498

**G2S 99 zł**

715001401

**107 zł**



### DECAL

- 6" x 12 3/4" (15 cm x 32 cm).

704901483 **69 zł**



### BOLT-ON<sup>†</sup> RETRACTABLE RATCHETING TIE-DOWNS

- Perfect for transporting your powersport vehicle or securing loads.
- Mounts easily: Bolts on any flat surface (e.g. truck bed or frame).
- 1" x 6' (2.5 cm x 1.8 m) tie-down strap with heavy-duty stitching that delivers a 500 lb (226 kg) working load strength and 1,500 lb (680 kg) break strength.
- Convenient retractable push button automatically slackens, spools and stores away strap, while the ratchet mechanism tightens the strap snugly to secure your vehicle or load into place.
- Rubber ratcheting handle provides firm grip, and the hook is vinyl coated to protect whatever surface it hooks into.
- Sold in pairs.

295100737 **165 zł**



### RATCHET TIE-DOWNS

- 400 lb (181 kg) safe working load.
- 1" x 10' (2.5 cm x 3 m) strap with Can-Am, Sea-Doo, and Ski-Doo logos.
- Deluxe ratchet with rubber handle.
- Coated S hooks.
- Pack of 2.

860200447 • Black/Grey **86 zł**

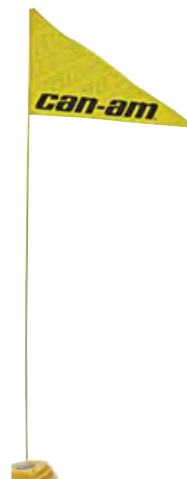


### FLAG

- Make sure everyone knows what you're riding.
- Perfect for the dunes and new riders.
- 8-foot (2.4 m) length.
- Includes flag mount (715000127).

715000277 • Yellow

**130 zł**



### FLAG MOUNT

715000127

**98 zł**

Some products shown may not be available or homologated in your country. Contact your BRP dealer for more details.



# APACHE

## TRACK SYSTEMS

Each track has a specific purpose and is designed without compromise for work and play. Whether it's for deep snow riding, trail riding or for heavy loads, Apache tracks are akin to floating across the terrain.



TRACK SYSTEMS

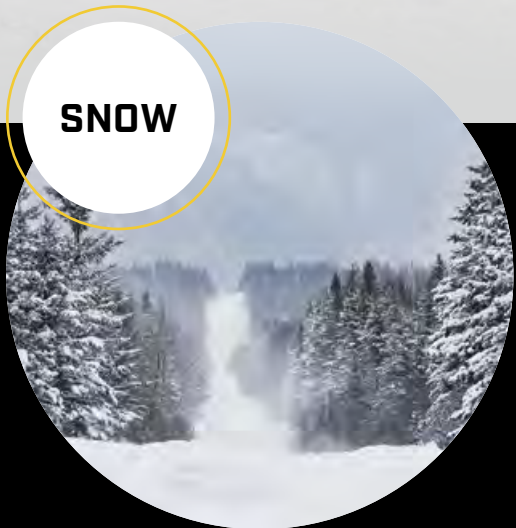
ACCESSORIES

### WINTER TRACKS

### YEAR ROUND TRACKS

**SNOW**

**MIXED  
CONDITIONS**



## APACHE BACKCOUNTRY

Finally explore winter with no traction limitations and no compromise, thanks to the unmatched performance of Apache Backcountry track kits. Engineered to thrive in the deepest snow—for work or play. Don't let winter stand in the way.

P.52

## APACHE 360, 360 LT

These track kits improve your vehicle's ground clearance and increase its contact patch with the terrain. Adapt your track setup to the conditions you'll be riding in and the purpose of your ride, with the Apache 360 and 360 LT systems: as our all-season, all-terrain masterpieces.

P.53-54



# TRACK SYSTEMS

## WINTER TRACKS

GET THE MOST OUT OF YOUR CAN-AM ATV THIS WINTER FOR ALL YOUR ENDEAVORS.

Explore without compromise. Ride on untouched trails, traveling deep into winter's embrace and you'll know: The same technology behind our world-renowned snowmobiles is at your command. With a larger contact patch, and more aggressive track design, travel beyond what you thought possible with the best snow performance.

COVERED BY A 1-YEAR WARRANTY

TRACK SYSTEMS

## OUTLANDER | RENEGADE

# APACHE BACKCOUNTRY

EFFICIENT FRAME AND RAIL DESIGN ENSURES WEIGHT IS EVENLY DISTRIBUTED ON SNOW

LARGEST CONTACT PATCH ANYWHERE:  
23% MORE THAN  
THE APACHE 360 LT



EASY-TO-OPERATE SNOWMOBILE-TYPE SLIDING TENSIONER

### APACHE BACKCOUNTRY TRACK SYSTEM

- Designed to deliver the best flotation level and deep-snow performance on the market.
- Contact patch is 23% bigger than the Apache 360 LT.
- Impressive added ground clearance of 7" (18 cm), keeps the vehicle out of deep snow.
- Aggressive track design with 2" (5 cm) lug height for maximum traction on snow.
- Apache Backcountry Mounting Kit and engine and CVT air intake pre-filters are required.
- For winter use only.

G2 (except 6x6 models), G2S, G2L

715003042

**26941 zł**

### IDLER WHEEL KIT

- Reduces drag and rolling resistance.
- Includes 2 wheels, brackets and hardware.
- Add up to 2 kits per rear track.
- Can extend slider life in hardened snow conditions.

**Apache Backcountry Track System**  
(rear tracks only)

860201230 • 141 mm

**264 zł**



### SLIDERS WITH VESPEL<sup>†</sup> INSERTS

- Use DuPont Vespel inserts for less friction.
- Longer life.
- Can be cut to desired length.
- 8 needed per vehicle.
- Sold individually.

**Apache Backcountry Track System**

503194815

**416 zł**



### RAIL ICE SCRATCHERS

- Provide additional lubrication in hard and icy conditions.
- Rail mounted, small, light.
- Design expands on coil concept to allow reversing without damage.
- Easily stored when not in use.

**Apache Backcountry Track System**

860201728



Some products shown may not be available or homologated in your country. Contact your BRP dealer for local details.

Cennik zawiera sugerowane ceny detaliczne brutto w walucie PLN. Ceny mogą ulec zmianie bez wcześniejszego uprzedzenia.

Cennik nie jest ofertą w rozumieniu prawa.

ACCESSORIES



## YEAR ROUND TRACKS

WORK & PLAY YEAR ROUND THROUGH MUD, SNOW, & ALL TYPES OF TERRAIN.

Rise above terrain, weather, and whole seasons with the Apache 360, 360 LT and 360 LT 6x6 track kits — the upgrade that takes the Can-Am experience to another level. Designed for superior traction and carrying heavier loads in soft terrain, they can be used with your ATV year round for exploring and completing tough tasks.

COVERED BY A **2-YEAR WARRANTY**

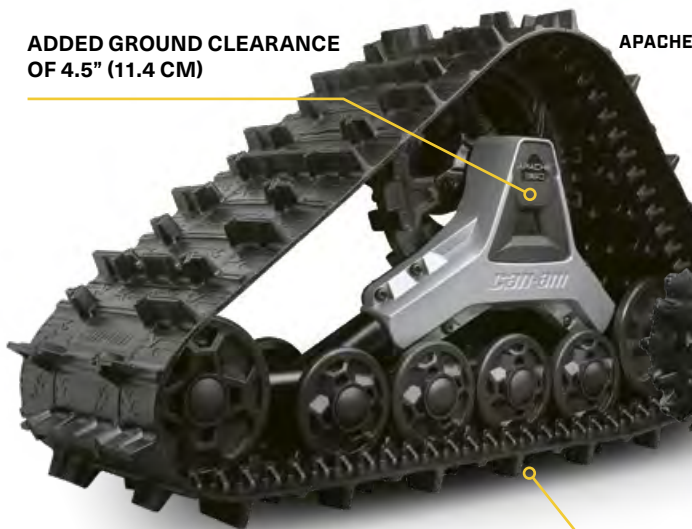


### OUTLANDER | RENEGADE

## APACHE 360 & 360 LT

ADDED GROUND CLEARANCE OF 4.5" (11.4 CM)

APACHE 360



APACHE 360 LT



TOTAL GROUND SURFACE AREA: 2,079.7 IN<sup>2</sup> (13,417 CM<sup>2</sup>)

UNIQUE ADJUSTABLE CONTACT PATCH SYSTEM TO TACKLE THE TOUGHEST YEAR-ROUND CONDITIONS



RUBBER OVER MOLDED HEAVY-DUTY DOUBLE BEARING WHEELS AND OFFSET WHEEL SPACING REDUCE FRICTION AND VIBRATION WHILE ENSURING RELIABILITY

GROUND SURFACE AREA IS 7 TO 9% LARGER THAN THE APACHE 360's

### APACHE 360 TRACK SYSTEM

- Multifunctional tracks perfect for any Can-Am ATV.
- Average ground clearance of 16" (41 cm).
- 1" (2.5 cm) lugs in the front and 1.25" (3.2 cm) in the back.
- Apache 360 & 360 LT Mounting Kit and engine and CVT air intake pre-filters are required.

**G2 (except 6x6 models), G2L, G2S**

715005240

**21 046 zł**

### APACHE 360 LT TRACK SYSTEM

- Multifunctional tracks designed to support heavy loads and to fit on most Can-Am off-road vehicles.
- Front wheel height adjustment provides enhanced attack angle and better performance over rough terrain when raised or increased contact patch for improved flotation when lowered.
- Average ground clearance increase of 4.5" (11.4 cm).
- 1" (2.5 cm) lugs in the front and 1.25" (3.2 cm) in the back.

**G2, G2S, G2L**

715005103

**26 379 zł**

- Apache 360 LT Mounting Kit, Track DPS Module and Engine & CVT Pre-Filter Kit are required.
- Reliable heavy-duty build.
- EC compliant.
- Contact patch is 7 to 9% bigger than the Apache 360's.
- Apache 360 & 360 LT Mounting Kit, Track DPS Module and engine and CVT air intake pre-filters are required.

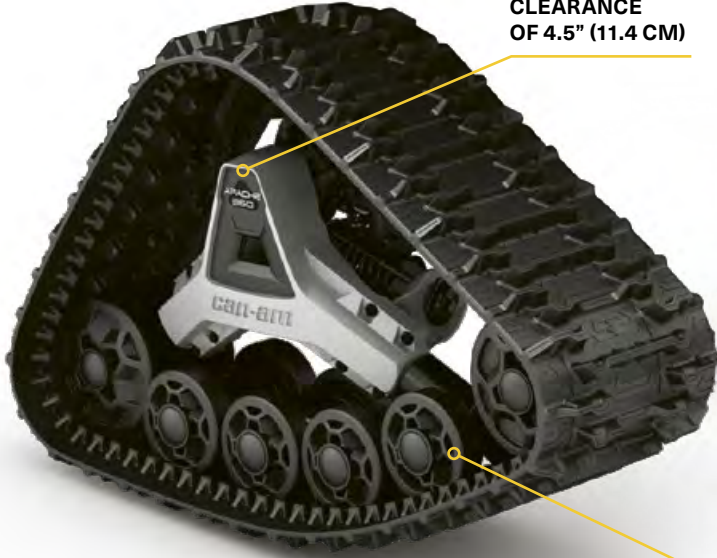




## OUTLANDER 6X6

# APACHE 360 LT 6X6

ADDED GROUND  
CLEARANCE  
OF 4.5" (11.4 CM)



UNIQUE ADJUSTABLE  
CONTACT PATCH SYSTEM  
TO TACKLE THE TOUGHEST  
YEAR-ROUND CONDITIONS



RUBBER OVER MOLDED HEAVY-DUTY DOUBLE  
BEARING WHEELS AND OFFSET WHEEL  
SPACING REDUCE FRICTION AND VIBRATION  
WHILE ENSURING RELIABILITY

## APACHE 360 LT (6X6) TRACK SYSTEM

- Multifunctional tracks designed to support heavy loads and to fit on most Can-Am off-road vehicles.
- Front wheel height adjustment provides enhanced attack angle and better performance over rough terrain when raised or increased contact patch for improved flotation when lowered.
- Average ground clearance increase of 4.5" (11.4 cm).
- 1" (2.5 cm) lugs in the front and 1.25" (3.2 cm) in the back.
- Apache 360 LT Mounting Kit, Track DPS Module and Engine & CVT Pre-Filter Kit are required.
- Reliable heavy-duty build.

- EC compliant.
- Exclusively for the Outlander 6x6.
- Recommended for use on snow only.

G2, G2L (6x6 only)

715005104

**31 967 zł**

Some products shown may not be available or homologated in your country. Contact your BRP dealer for local details.

Cennik zawiera sugerowane ceny detaliczne brutto w walucie PLN. Ceny mogą ulec zmianie bez wcześniejszego uprzedzenia.  
Cennik nie jest ofertą w rozumieniu prawa.



## ATV TRACK SYSTEM FITTING GUIDE

Track Kit	Vehicle	Mounting Kit	DPS Module* 2020 & prior	Pre-Filter
<b>APACHE BACKCOUNTRY</b> 715003042  <b>26 379 zł</b>	G2, G2S 2018 & prior & G2L	715004830 <b>2768 zł</b>	715005243 <b>625 zł</b>	<b>Air Intake Pre-Filter</b> 715004729 + <b>158 zł</b>  <b>CVT Air Intake Pre-Filter</b> 715003483 <b>198 zł</b> <i>Standard on G2 models and G2L PRO model</i>
	G2, G2S 2019 & up	715004796 <b>2768 zł</b>	<b>Models with Intelligent Throttle Control (iTC™):</b> 715004707 <b>Everything else:</b> 715005243	
<b>APACHE 360</b> 715005240  <b>21 046 zł</b>	G2, G2S 2018 & prior & G2L	715004829 <b>1186 zł</b>	715005243 <b>625 zł</b>	
	G2, G2S 2019 & up	715004795 <b>1186 zł</b>	<b>Models with Intelligent Throttle Control (iTC™):</b> 715004707 <b>Everything else:</b> 715005243	
<b>APACHE 360 LT</b> 715005103  <b>26 379 zł</b>	G2, G2S 2018 & prior & G2L	715004829 <b>1186 zł</b> + 715003063 (adaptor)	715005243 <b>625 zł</b>	
	G2, G2S 2019 & up	715004795 <b>1186 zł</b> + 715003063 (adaptor) <b>843 zł</b>	<b>Models with Intelligent Throttle Control (iTC™):</b> 715004707 <b>Everything else:</b> 715005243 <b>625 zł</b>	
<b>APACHE 360 LT 6X6</b> 715005104  <b>31 967 zł</b>	G2 2018 & prior, G2L (6x6 models)	715004991 <b>947 zł</b>	<b>Models with Intelligent Throttle Control (iTC™):</b> 715004707 <b>636 zł</b> <b>Everything else:</b> 715005243	
	G2 6x6 models 2019 & up	715005105 <b>947 zł</b>	<b>625 zł</b>	

\*Not sold in Europe

### APACHE BACKCOUNTRY MOUNTING KIT

(Not illustrated)

- Required for installation of the Apache Backcountry Track System.
- DPS module and pre-filter are required and sold separately.

**G2 2018 & prior, G2S 2018 & prior, G2L**

**G2 2019, G2S 2019**

715004830

**2768 zł**

715004796

**2768 zł**

### TRACK DPS MODULE

(Not illustrated)

- An innovative DPS module that ensures speedometer accuracy and optimized steering assist, which make for perfect track control and riding ease.
- Required to install the Apache Track Systems.
- Not sold in Europe.

**Models without Intelligent**

**Throttle Control (iTC™) 2020 & prior**

715005243

**625 zł**

**Models with Intelligent**

**Throttle Control (iTC) 2020 & prior**

715004707

**636 zł**

### APACHE 360 & 360 LT MOUNTING KIT

(Not illustrated)

- Required to install Apache 360 & 360 LT Track Systems.
- Requires Apache 360 LT ATV Adapter (715003063) for installation of the Apache 360 LT Track System.
- DPS module and pre-filter not included.

**G2 2018 & prior (except 6x6 models),**

**G2 2018 & prior,**

**G2S 2018 & prior, G2L**

**G2L (6x6 models)**

715004829

**1186 zł**

715004991

**947 zł**

**G2 2019 & up (except 6x6 models),**

**G2 (6x6 models 2019 & up)**

**G2S 2019 & up,**

**G2 (6x6 models 2019 & up)**

715004795

**1186 zł**

715005105

**947 zł**

### ENGINE AIR INTAKE PRE-FILTER

- Adds extra protection to your engine in harsh riding conditions.
- Filter blocks particles larger than 0.005" (0.13 mm).
- Necessary to maintain vehicle warranty when tracks are installed.

**G2, G2L, G2S**

715004729

**158 zł**



### CVT AIR INTAKE PRE-FILTER

- Adds extra protection to your engine in harsh riding conditions.
- Filter blocks particles larger than 0.007" (0.19 mm).
- Easy, tool-less installation.
- Necessary to maintain vehicle warranty when tracks are installed.
- Required to install the Apache and Backcountry Track Systems.
- Standard on Outlander 650, 850, 1000, 1000R engines and G2L PRO.

715003483

**198 zł**



### APACHE 360 LT ADAPTOR

(Not illustrated)

- Required to install an Apache 360 LT Track System.
- Apache 360 and 360 LT Mounting Kit also required.

**G2 (except 6x6 models), G2S, G2L**

715003063

**843 zł**

### SELF-CLEARING FOOTWELLS

- Made from aluminum.
- Replace original footwells.
- Feature large evacuation ports to avoid mud and snow accumulation in footwells.
- Aggressive design for improved traction.
- Not compatible with Body Side Protectors.
- Sold in pairs.

**G2 2015 & up, G2L**

715004759

**1289 zł**



Aids in rider traction and clears heavy mud and snow debris with ease.





## WINTER PRO V2

- With the Winter Pro snowblower, winter house chores become fast and easy.
- Winter Pro is designed and built for Scandinavian conditions, and it boasts several innovative features that will make your life easier.
- The Easy Connect Pro link system makes attaching your ATV onto the snowblower child's play. All you need is a trailer hitch on your ATV.
- The electric starter, joystick to steer the chute, dual stage auger, and work light (sold as a separate accessory) elevate this snowblower to a professional grade winter-time tool.
- The scraper bar height is easily adjustable with the help of the skid shoes.
- Also, the bar is fastened onto a boxed steel construction, thus adding to the snowblower's overall rigidity.
- The 24hp Honda V2 engine is engineered and crafted to withstand the toughest Nordic conditions.

619590291

**28 363 zł**

## WINTER PRO WIDENING KIT

(Not illustrated)

619590127

## WINTER PRO GAS TANK KIT

(Not illustrated)

619590126

## WINTER PRO SUBFRAME EXTENSION

(Not illustrated)

619590128

## FLEXEL TYRE WITH RIM - UNBREAKABLE

(Not illustrated)

619590192

**1029 zł**

## SHEAR BOLTS

(Not illustrated)

• (1 pack/10 pcs)

619590603 · For auger **102 zł**

619590148 · For fan **102 zł**

## WINTER PRO OIL FILTER

(Not illustrated)

• For Honda motors.

619590335 **167 zł**





# PROMOUNT — PLOWS



**FIT & COMPATIBILITY**



**QUALITY & RELIABILITY**



**STYLE & VISION**

The new ProMount lineup was created for both professional operators and enthusiasts looking to take their tool kit to the next level. Designed to work as efficiently as possible, Can-Am reimagined the plow from mount to blade.



Underbelly mounting plate provides the optimal angle of attack for best push strength.



The forward mounted push frame provides industry leading lift height.



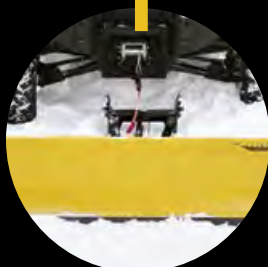
Low profile mounting plate has little impact on ground clearance and can be left installed year round.

## MOST EFFICIENT MOUNTING SYSTEM

## CONNECTS WITH A CLICK

Attachable in **FOUR EASY STEPS**, the Can-Am ProMount plow system is the fastest, easiest way to start plowing and get the job done—minimal effort for maximum result.

**1**



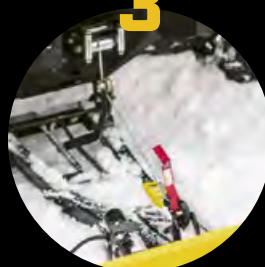
Drive straight toward the plow.

**2**



Attach the winch cable to the plow using a guiding hook/roller.

**3**



Lift the plow until it clips onto the mounting plate.

**4**



Remove the winch cable from the guide. You're ready to plow.



## OUTLANDER | RENEGADE

CAN-AM PROMOUNT  
STEEL PLOWS

Consult your dealer for the best plow width.  
Made from 12-gauge steel and designed for efficient plowing, the ProMount steel blades are offered in multiple sizes to fit jobs large or small.

## CAN-AM PROMOUNT STEEL PLOW KITS

## These kits include:

- Can-Am ProMount Steel Blade
- Push Frame with Quick-Attach System
- Mounting Plate

## 54" [137 CM] BLADE

## G2, G2L, G2S

- 715005200 • Black
- 715005428 • Yellow

## 60" [152 CM] BLADE

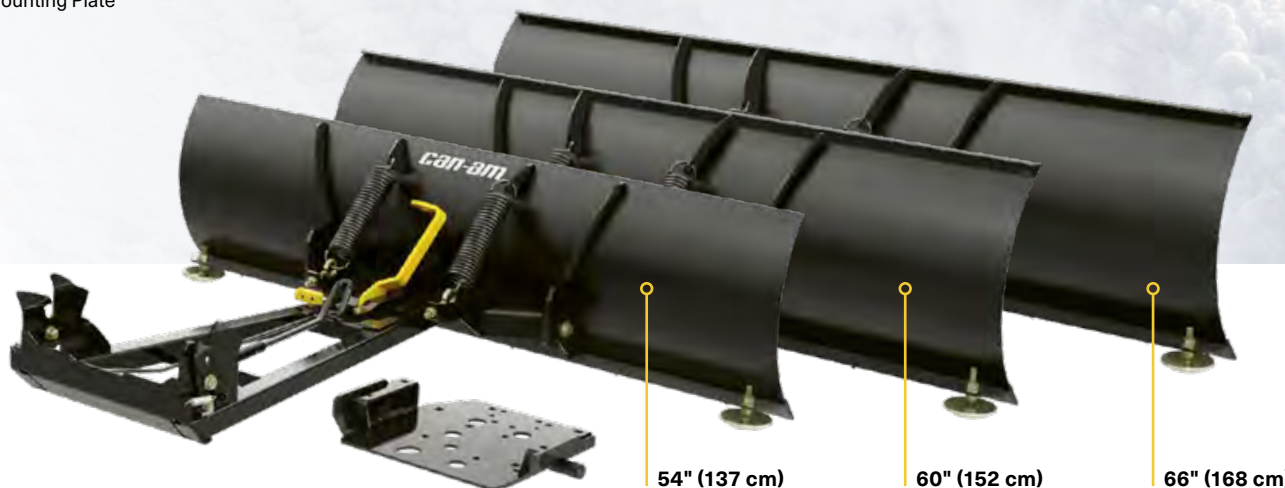
## G2, G2L, G2S

- 715005201 • Black
- 715005434 • Yellow

## 66" [168 CM] BLADE

## G2, G2L, G2S

- 715005427 • Black
- 715005435 • Yellow



54" (137 cm)

60" (152 cm)

66" (168 cm)

## CAN-AM PROMOUNT STEEL BLADES

- Blades available individually to create your own kit.
- Compatible with Can-Am ProMount Blade accessories to further enhance plow versatility (some plow accessories are not compatible with 54" (137 cm) plows).

## 54" [137 CM] BLADE

- Not compatible with ProMount Drift Cutters, Blade Extensions and Edge Markers.
- Clears 50" (127 cm) when plow is fully angled.
- Blade height of 14.75" (37 cm).

## Fits ProMount Push Frame

- 715004472 • Black 1186 zł
- 715005316 • Yellow 1186 zł

## 60" [152 CM] BLADE

- Clears 54" (137 cm) when plow is fully angled.
- Blade height of 17" (43 cm).

## Fits ProMount Push Frame

- 715004202 • Black 1306 zł
- 715005317 • Yellow 1306 zł

## 66" [168 CM] BLADE

- Clears 60" (152 cm) when plow is fully angled.
- Blade height of 17" (43 cm).

## Fits ProMount Push Frame

- 715006337 • Black 1509 zł
- 715006338 • Yellow 1509 zł

## 72" [183 CM] BLADE

- Clears 66" (168 cm) when plow is fully angled.
- Blade height of 17" (43 cm).

## Fits ProMount Push Frame

- 715004474 • Black 1806 zł
- 715006021 • Yellow 1806 zł



54" (137 cm)

60" (152 cm)

66" (168 cm)

72" (183 cm)

CREATE  
YOUR  
OWN KIT

by choosing any plow type/length that you'd like for your push frame. ProMount Push Frames are compatible with all the blades.

Some products shown may not be available or homologated in your country. Contact your BRP dealer for local details.

Cennik zawiera sugerowane ceny detaliczne brutto w walucie PLN. Ceny mogą ulec zmianie bez wcześniejszego uprzedzenia. Cennik jest ofertą w rozumieniu prawa.



**OUTLANDER | RENEGADE**

# CAN-AM PROMOUNT FLEX2 PLOWS

HMWPE (High Molecular Weight Polyethylene) technology gives Flex2 greater reliability, resistance to impact, and immunity to rust or deformation. Tough on jobs but flexible in the face of obstacles, the Flex2 blade simplifies work.

## CAN-AM PROMOUNT FLEX2 PLOW KIT

**This kit includes:**

- Can-Am ProMount Flex2 Blade
- Push Frame with Quick-Attach System
- Mounting Plate

**60" (152 CM) BLADE**

**G2, G2L, G2S**

■ 715005202 • Black



## CAN-AM PROMOUNT FLEX2 BLADES

- Blades available individually to create your own kit.
- Compatible with Can-Am ProMount Blade accessories to further enhance plow versatility.

**60" (152 CM) BLADE**

- Clears 54" (137 cm) when plow is fully angled.

**Fits ProMount Push Frame**

■ 715004203 • Black

**1738 zł**

**72" (183 CM) BLADE**

- Clears 66" (168 cm) when plow is fully angled.

**Fits ProMount Push Frame**

■ 715004485 • Black

**2305 zł**



by choosing any plow type/length that you'd like for your push frame. **ProMount Push Frames are compatible with all the blades.**



**OUTLANDER | RENEGADE****CAN-AM PROMOUNT  
ANGLE PLOWS**

Make the job easier with the right tools,  
clear long alleys and make the task easier  
by sending the snow further out of the way.

**CAN-AM PROMOUNT STEEL ONEWAY STATE BLADES**

- Wing end of plow measures 25" (64 cm) high and tapers down to 17" (43 cm).
- One-way "winged" state plow designed to throw snow higher.
- Rubber flap designed to keep snow away from the driver.
- Can-Am branded.

**New 60" [152 CM] BLADE**

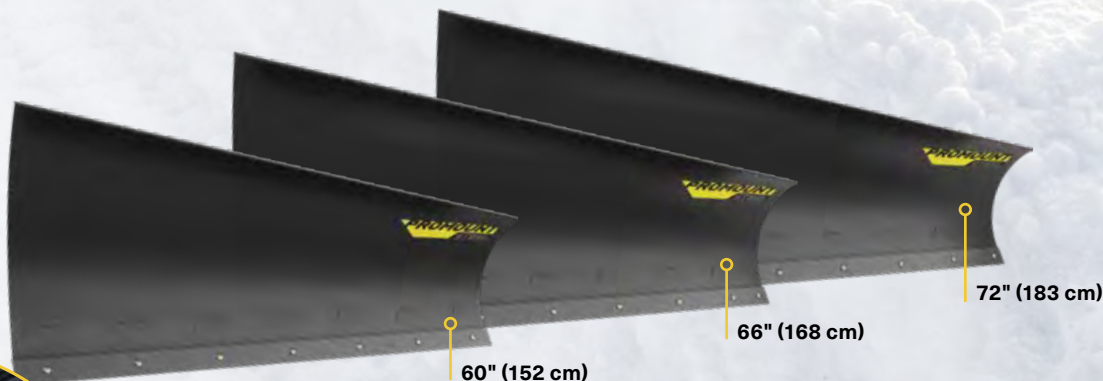
Fits ProMount Push Frame

■ 715007261 • Black **1567 zł****New 66" [168 CM] BLADE**

Fits ProMount Push Frame

■ 715007263 • Black **1738 zł****New 72" [183 CM] BLADE**

Fits ProMount Push Frame

■ 715007264 • Black **1915 zł**

**CREATE  
YOUR  
OWN KIT**

by choosing any plow type/  
length that you'd like for your  
push frame. **ProMount Push  
Frames are compatible with  
all the blades.**

**YOUR JOB,  
YOUR CHOICE**

Get a custom solution that truly fits the task at hand—with quality components and no cut corners. The ProMount push frame, mounting plate and blades are a universal system that can be adapted to your specific Can-Am and jobsite.

**OUTLANDER | RENEGADE****CAN-AM PROMOUNT PUSH FRAME WITH QUICK-ATTACH SYSTEM**

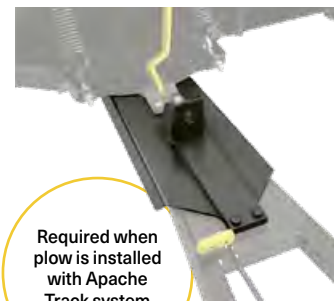
- Heavy-duty steel tubes designed to withstand the roughest use.
- Mid-mount carriage provides ultimate push strength and traction.
- Designed for maximum plow lift height.
- Features a self-aligning quick-attach system, an easy foot release pedal and an ergonomic handle for plow angle adjustment.
- Plow Roller Fairlead and Plow Limit Switch recommended to extend winch cable lifespan.
- Can-Am ProMount Mounting Plate required for installation.
- Blade swivels left or right, 5 positions.
- Large pin designed for easy blade rotation to eliminate dirt and snow buildup at pivot point.

**G2, G2L, G2S**715004339 **1551 zł**

Compatible  
with all  
ProMount  
plows

**CAN-AM PROMOUNT  
PUSH FRAME EXTENSION**

- 12" (30 cm) push frame extension.

**G2, G2L, G2S**715004204 **687 zł**

Required when  
plow is installed  
with Apache  
Track system

**CAN-AM PROMOUNT MOUNTING PLATE**

- Required to install the Can-Am ProMount Push Frame with Quick-Attach System.
- Mounting plate precision-designed to stay on year round without compromising ground clearance.
- Fits on ATVs, Maverick Trail or Maverick Sport with or without Can-Am Skid Plates.

**G2, G2L, G2S**715004338 **458 zł**

Some products shown may not be available or homologated in your country. Contact your BRP dealer for local details.





**OUTLANDER | RENEGADE**

**CAN-AM PROMOUNT PLOW ACCESSORIES**

**CAN-AM PROMOUNT EDGE MARKERS**

- Help locate the edges of your plow.
- Height: 24" (60 cm).
- Sold in pairs.
- Compatible with Can-Am ProMount Steel and Flex2 Blades with or without Blade Extensions (except for the Can-Am ProMount Steel 54" (137 cm) Blades).

**G2, G2L, G2S** **203 zł**  
715004206

**CAN-AM PROMOUNT DRIFT CUTTERS**

- Help keep snow in the plow.
- Dimensions: 17" x 13" (43.2 cm x 33 cm).
- Sold in pairs.
- Compatible with Can-Am ProMount Steel and Flex2 Blades with or without Blade Extensions (except for the Can-Am ProMount Steel 54" (137 cm) Blades).

**G2, G2L, G2S** **619 zł**  
715004207

**CAN-AM PROMOUNT PLASTIC WEAR BLADE**

- To help prevent scratches on smooth driveways and markable surfaces.

**G2, G2L, G2S**

<b>54" (137 cm)</b>	<b>60" (152 cm)</b>	<b>66" (168 cm)</b>	<b>72" (183 cm)</b>
715004480	715004481	715004482	715004483
<b>369 zł</b>	<b>369 zł</b>	<b>369 zł</b>	<b>619 zł</b>

**CAN-AM PROMOUNT BLADE EXTENSIONS**

- Add 3" (8 cm) each side.
- Compatible with Can-Am ProMount Blades (except for Can-Am ProMount Steel 54" (137 cm) Blade).
- Longer Wear Blade can be installed to further extend the extra length already provided by the extensions.
- Compatible with Can-Am ProMount Steel and Flex2 Blades (except for the Can-Am ProMount Steel 54" (137 cm) Blades).

**G2, G2L, G2S** **458 zł**  
 ■ 715004205 • Black **458 zł**  
 ■ 715005319 • Yellow **458 zł**



**PLOW ROLLER FAIRLEAD**

- Larger diameter lower roller reduces wear on wire rope for plow application.
- Can be used with all ProMount plows.

**G2, G2L, G2S** **308 zł**  
705009222



**PULLEY KIT**

- Pulley kit to be used in conjunction with the winch when using a snow plow.
  - Recommended to increase winch efficiency.
  - To be used with the XT Front Bumper.
- 715000279 279 zł**



**SYNTHETIC WINCH CABLE FOR PLOWING**

- Specially designed for plowing applications.
- 8' (2.4 m) section of durable, extra-strong synthetic rope.
- Stands up to repeated, sharp angle pulls used to lift heavy plow blades.
- Temporarily replace your winch rope for plow season to save wear and tear on wire rope.

**715000540 221 zł**



**PLOW LIMIT SWITCH**

- (Not illustrated)
- For controlling the cable tension when over raising your plow system.
  - Prevents winch, plow push frame and vehicle damage.

**G2, G2L, G2S** **590 zł**  
715004775

**REAR TIRE CHAINS**

- Improve your traction in mud and snow.
- Sold in pairs.

**26" x 10" x 12"**  
**715500218**  
**25" x 10" x 12"**  
**27" x 9" x 14"**  
**715000225**

**411 zł**





**ITP TERRACROSS TIRE**

• This smooth-riding tire will command every bit of traction from the ground while still managing to float across loose snow, sand and mud.

• Features extreme-duty construction for improved puncture protection, extra-tough rubber compound for increased tread life, and the interlocking tread pattern and wide footprint make it one of the toughest and grippiest radials around.

• Not EC compliant.

**G2 XTP, G2 Limited**

Front • 26" x 8" x 14"

705401906



Rear • 26" x 10" x 14"

705502421

**722 zł**

**GROUND-GRIPPING TRACTION MEETS LOOSE MUD MANEUVERABILITY. THE TOUGH TIRE WITH THE SMOOTH RIDE.**

**ITP CRYPTID TIRE**

• Graduated lug height and paddle-like shoulder configuration provide maximum side bite for climbing in and out of the mud without compromising ride comfort on trails and hard pack.

• 6-ply rated.

• 30" x 9" x 14".

**G2 X mr 850 & 1000R 2018 & up.**

**G2S X mr 1000R 2018 & up.**

705402178

**852 zł**

**ZILLA TIRE BY MAXXIS\***

• Sold individually.

**Front**

27" x 10" x 14"

**727 zł**

705401302

**Rear**

27" x 12" x 14"

705501703

**787 zł**

**ITP MEGA MAYHEM**

• 1.5" tread depth mud thrower tires.

• Surprisingly smooth ride on hard pack surfaces.

• 6-ply rated.

**G2 X mr 570 & 650 2018 & up.**

**G2S X mr 570 2018 & up**

Front

28" x 9" x 12"

**892 zł**

705402131

Rear

28" x 11" x 12"

**892 zł**

705502645

**MAXXIS MUDZILLA TIRE**

• Not EC compliant.

**G2 (X mr 570 & 650 models only)**

**Front**

28" x 8" x 12"

705401391

**Rear**

28" x 10" x 12"

705501836

**722 zł**

**GORILLA SILVERBACK TIRE**

• AT30X9-14 Gorilla Silverback mud tire.

• Sold individually.

• Not EC compliant.

**G2 (850 & 1000 models only)**

30" x 9" x 14"

**892 zł**

705400962



*Some products shown may not be available or homologated in your country. Contact your BRP dealer for local details.*

*\*Consult your operator's guide/owner's manual for proper tire type and rim sizing. Improper tire type and rim selection may affect vehicle handling. Check with your local authorities for proper regulation.*

Cennik zawiera sugerowane ceny detaliczne brutto w walucie PLN. Ceny mogą ulec zmianie bez wcześniejszego uprzedzenia.

Cennik nie jest ofertą w rozumieniu prawa.



### ITP HOLESHOT ATR TIRE

G2S

Front 205/80R12

25" x 8" x 12"

705400600 **546 zł**

705400475 **546 zł**

Rear 270/60R12

25" x 10" x 12"

705500926 **762 zł**

705500820 **506 zł**



### CARLISLE BADLANDS A/R TIRE

G2 (500-1000 Base models only)

Front

26" x 8" x 12"

705401331 **546 zł**

705401332 **546 zł**

Rear

26" x 10" x 12"

705501767 **546 zł**

705501768 **526 zł**



### ITP HOLESHOT GNCC TIRE

DS 450 X xc

Front - 21" x 7" x 10"

705400650 **431 zł**

Rear - 20" x 10" x 9"

705500989 **506 zł**



### CARLISLE TRAIL WOLF TIRE

G2 (400 Base models only)

Front

25" x 8" x 12"

705401625 **566 zł**

705400607 **506 zł**

Rear

25" x 11" x 12"

705502164 **632 zł**

705502165 **632 zł**



### ITP HOLESHOT SR TIRE

DS 450

Front - 21" x 7" x 10"

705400432 **316 zł**

Rear - 20" x 10" x 9"

705500787 **611 zł**



### CARLISLE ACT TIRE

G2 (500-1000 XT models only)

Front

26" x 8" x 12"

705401333 **591 zł**

705401334 **461 zł**

Rear

26" x 10" x 12"

705501769 **632 zł**

705501770 **632 zł**

G2 (400 XT models only)

Front

25" x 8" x 12"

705400606 **506 zł**

705400326 **506 zł**

Rear

25" x 11" x 12"

705500933 **657 zł**

705500598 **506 zł**

### CARLISLE ACT HD TIRE

Front

26" x 8" x 12"

705401736

Rear

26" x 10" x 12"

705502297 **722 zł**



### ITP QUADCROSS MX PRO TIRE

DS 450 X mx

Front - 20" x 6" x 10"

705400765 **506 zł**

Rear - 18" x 10" x 8"

705501106 **386 zł**



### MONSTER TIRES

- Deestone Swamp Witch Tyre.
- Rims sold separately.

27"

Front **877 zł**

619590209

Rear

619590210

**967 zł**

28"

Front

619590033

**717 zł**

Rear

619590032

**1012 zł**



### KENDA KLAW MXR TIRE

DS 90 X

Front - 20" x 6" x 10"

V42711DGF01HLL

Rear - 18" x 10.5" x 8"

V42712DGF01HLL





**14" RIM**

- Premium cast aluminum black painted with machining and clear coat rim.
- Center hole: 72 mm.
- Bolt circle pattern: 4/136 mm.

**G2 DPS, G2 XT, G2 MAX 650, G2 MAX XT, G2 MAX Limited**

Front - 14" x 6.5" offset = 40 mm      Rear - 14" x 8.5" offset = 50 mm

705401853 • Black and machined 653 zł 705502402 • Black and machined 705 zł  
705401852 • Black with clear coat 602 zł 705502401 • Black with clear coat 653 zł  
705401851 • Silver with clear coat 602 zł 705502400 • Silver with clear coat 653 zł



**NOTE:** Matching Nuts - 250100100 Black, 250100082 Chrome / Matching Cap - 705400928

12 zł

31 zł

20 zł

**14" RIM**

**G2 DPS, G2 XT, G2 MAX Limited, G2 North Edition, G2 MAX North Edition**

Front - 14" x 6.5" offset = 40 mm      Rear - 14" x 8.5" offset = 50 mm

705402309 • Black and machined 602 zł 705502770 • Black and machined 705 zł  
705402222 • Black with clear coat 602 zł 705502702 • Black with clear coat 653 zł  
705402307 • Silver with clear coat 602 zł 705502768 • Silver with clear coat 653 zł

**OUTLANDER X MR AND DEFENDER RIM**

- Cast aluminum rim with trend setting explosive styling so you can ride - and look - like a trailblazer.

**X mr models front and rear wheels**

Front

14" x 6.5" offset = 10 mm

■ 705401848 • Black and machined 705 zł  
■ 705401849 • Black 705 zł

**OUTLANDER RIM (CAMO MODEL)**

- Black with clear coat aluminum rim.

**G2, G2L, G2S**

Front - 12" x 6" offset = 41 mm

705401127 • Black with clear coat 723 zł

Rear - 12" x 7.5" offset = 51 mm

705501493 • Black with clear coat 769 zł



**NOTE:**

Matching Nuts - 250100100 Black, 12 zł  
250100082 Chrome / Matching Cap - 705401541 27 zł  
31 zł

**12" BEADLOCK RIM**

- Black with clear coat aluminum rim.
- Needs 16 bolts (250000435) for installing the beadlock.
- Choice of beadlock color (not included).

**G2, G2L, G2S**

Front - 12" x 6" offset = 41 mm

705401678 • Black

1047 zł

Rear - 12" x 7.5" offset = 51 mm

705502244 • Black

1070 zł

**12" BEADLOCK**

- Cast aluminum beadlock.
- Must be installed on Front Rim (705401678) and Rear Rim (705502244).

**G2, G2L, G2S**

■ 705401763 • Can-Am Red 359 zł

■ 705401156 • Yellow 353 zł

■ 705401533 • Orange Crush 376 zł

■ 705401812 • Manta Green 359 zł

**NOTE:** Matching Nuts - 250100100 / 12 zł  
Matching Cap 705400928 20 zł

**14" BEADLOCK RIM**

- Black with clear coat aluminum rim.
- Choice of beadlock color (not included).
- Needs 16 bolts (250000435) for installing the beadlock.

**G2**

Front - 14" x 6.5" offset = 41 mm

705401594

1249 zł

Rear - 14" x 8" offset = 51 mm

705502146

1249 zł

**14" BEADLOCK**

- Cast aluminum beadlock.
- Must be installed on Front Rim (705401594) and Rear Rim (705502146).

**G2**

■ 705401586 • Manta Green 411 zł

■ 705401702 • Octane Blue 411 zł

■ 705401837 • Can-Am Red 411 zł

■ 705401840 • Black 411 zł

**NOTE:** Matching Nuts - 250100100 / 12 zł  
Matching Cap 705400928 20 zł





RIMS

ACCESSORIES













Quady Śrem - tel. 61 28 35 657 - email: [biuro@sklepatv.pl](mailto:biuro@sklepatv.pl) - [www.sklepatv.pl](http://www.sklepatv.pl)

**CAN-AMOFFROAD.COM**



Cennik zawiera sugerowane ceny detaliczne brutto w walucie PLN. Ceny mogą ulec zmianie bez wcześniejszego uprzedzenia.  
Cennik nie jest ofertą w rozumieniu prawa.